



Warmer Drawer

User Manual

Die Wärmeschublade

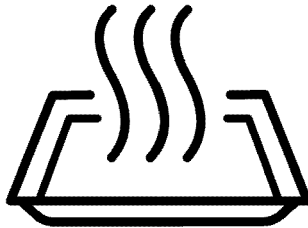
Gebrauchsanleitung

Tiroir chauffe-plat

Manuel d'utilisation

Warmhoudlade

Gebruikershandleiding



BDRW 11400 FX-DRW 11401 FB

EN / DE / FR / NL

185.6400.42/R.AG/6.10.2021/5-1

7757183807-7757183802

Please read this user manual first!

Dear Customer,

Thank you for purchasing this Beko product. We hope that you get the best results from your product which has been manufactured with high quality and state-of-the-art technology. Therefore, please read this entire user manual and all other accompanying documents carefully before using the product and keep it as a reference for future use. If you handover the product to someone else, give the user manual as well. Follow all warnings and information in the user manual.

Remember that this user manual is also applicable for several other models. Differences between models will be identified in the manual.

Explanation of symbols

Throughout this user manual the following symbols are used:



Important information or useful hints about usage.



Warning of hazardous situations with regard to life and property.



Warning of electric shock.



Warning of risk of fire.



Warning of hot surfaces.



Arçelik A.Ş.
Karaağaç caddesi No:2-6
34445 Sütlüce/İstanbul/TURKEY
Made in TURKEY

This product was manufactured using the latest technology in environmentally friendly conditions.

TABLE OF CONTENTS

1 Important instructions and warnings for safety and environment 4

General safety	4
Electrical safety	5
Product safety	6
Intended use	6
Safety for children	6
Disposing of the old product	7
Package information	7
Future Transportation	7

2 General information 8

Overview	8
Technical specifications	9

3 Installation 10

Appropriate installation location	10
Electrical connection	14

4 Using the warming drawer 15

Warm keeping the plates	15
Warm keeping the meals	16
Usage table	17

5 Maintenance and care 18

General information	18
Removing the Drawer	18

6 Troubleshooting 20

1 Important instructions and warnings for safety and environment

This section contains safety instructions that will help protect from risk of personal injury or property damage. Failure to follow these instructions shall void any warranty.

General safety

- This appliance can be used by children aged from 8 years and above and persons with reduced physical, sensory or mental capabilities or lack of experience and knowledge if they have been given supervision or instruction concerning use of the appliance in a safe way and understand the hazards involved.

Children shall not play with the appliance. Cleaning and user maintenance shall not be made by children without supervision.

- The appliance is not to be used by persons (including children) with reduced physical, sensory or mental capabilities, or lack of experience and knowledge,

unless they have been given supervision or instruction.

Children should be supervised and ensure they do not play with the appliance

- If the product is handed over to someone else for personal use or second-hand use purposes, the user manual, product labels and other relevant documents and parts should be also given.
- Never place the product on a carpet-covered floor. Otherwise, lack of airflow beneath the product will cause electrical parts to overheat. This will cause problems with your product.
- Installation and repair procedures must always be performed by Authorised Service Agents. The manufacturer shall not be held responsible for damages arising from procedures carried out by unauthorised persons which may also void the warranty. Before installation, read the instructions carefully.

- Do not operate the product if it is defective or has any visible damage.
- Ensure that the product function knobs are switched off after every use.

Electrical safety

- If the product has a failure, it should not be operated unless it is repaired by an Authorized Service Agent. There is the risk of electric shock!
- Only connect the product to a grounded outlet/line with the voltage and protection as specified in the “Technical specifications”. Have the grounding installation made by a qualified electrician while using the product with or without a transformer. Our company shall not be liable for any problems arising due to the product not being earthed in accordance with the local regulations.
- Never wash the product by spreading or pouring water onto it! There is the risk of electric shock!
- Never touch the plug with wet hands! Never unplug by pulling on the cable, always pull out by grabbing the plug.
- The product must be disconnected during installation, maintenance, cleaning and repairing procedures.
- If the power connection cable for the product is damaged, it must be replaced by the manufacturer, its service agent or similarly qualified persons in order to avoid a hazard.
- Only use the connection cable specified in the “Technical specifications”.
- The appliance must be installed so that it can be completely disconnected from the mains supply. The separation must be provided by a switch built into the fixed electrical installation, according to construction regulations.
- Any work on electrical equipment and systems should only be carried out by authorized and qualified persons.
- In case of any damage, switch off the product and disconnect it from the mains.

To do this, turn off the fuse at home.

- Make sure that fuse rating is compatible with the product.

Product safety

- While the product is in operation, its exposed portions will be hot. Do not touch the product and its heater elements. Children under the age of 8 should not approach the product without a supervising adult.
- Do not store the flammable materials and plastic cases within the warming drawer.
- Fractures, cracks and tears on the heating plate bear the risk of electric shock. Unplug the mains cable or switch of the fuse. Call the authorised service agent.
- Do not place any flammable materials close to the product as the sides become hot during use.
- Product may be hot when it is in use. Never touch the hot parts, inner sections, heaters and etc.
- Do not bring the heating plate into contact with the warming drawer as it can be damaged.

- Do not heat closed tins and glass jars in the warming drawer. The pressure that would build-up in the jar may cause it to burst out.
- Do not clean the product with steam cleaners due to the risk of electric shock.
- While loading the plates into the drawer always use oven gloves.

For the fire safety of the product;

- Ensure that the device is securely connected to the mains to prevent any arcing.
- Do not use any broken or damaged cable other than the original one.
- Make sure that there is no liquid or humidity exist at the wall socket to which the product is connected.

Intended use

- This product is designed for domestic use. Commercial use will void the guarantee.
- The manufacturer shall not be liable for any damage caused by improper use or handling errors.

Safety for children

- Accessible parts may become hot during use.

Young children should be kept away.

- The packaging materials will be dangerous for children. Keep the packaging materials away from children. Please dispose of all parts of the packaging according to environmental standards.
- Electrical products are dangerous to children. Keep children away from the product when it is operating and do not allow them to play with the product.

Disposing of the old product

Compliance with the WEEE Directive and Disposing of the Waste Product:



This product complies with EU WEEE Directive (2012/19/EU). This product bears a classification symbol for waste electrical and electronic equipment (WEEE).

This product has been manufactured with high quality parts and materials which can be reused and are suitable for recycling. Do not dispose of the waste product with normal domestic and other

wastes at the end of its service life. Take it to the collection center for the recycling of electrical and electronic equipment. Please consult your local authorities to learn about these collection centers.

Compliance with RoHS Directive:

The product you have purchased complies with EU RoHS Directive (2011/65/EU). It does not contain harmful and prohibited materials specified in the Directive.

Package information

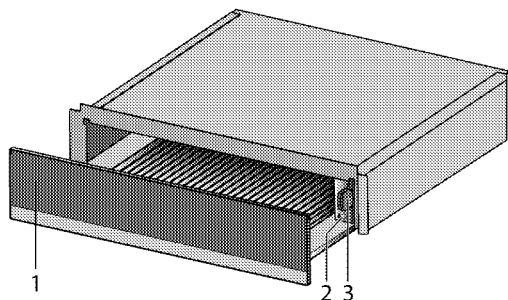
- Packaging materials of the product are manufactured from recyclable materials in accordance with our National Environment Regulations. Do not dispose of the packaging materials together with the domestic or other wastes. Take them to the packaging material collection points designated by the local authorities.

Future Transportation

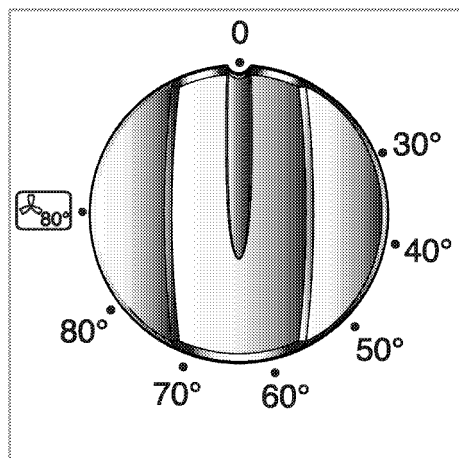
- Keep the product's original carton and transport the product in it. Follow the instructions on the carton. If you do not have the original carton, pack the product in bubble wrap or thick cardboard and tape it securely.
- **i** Check the general appearance of your product for any damages that might have occurred during transportation.

2 General information

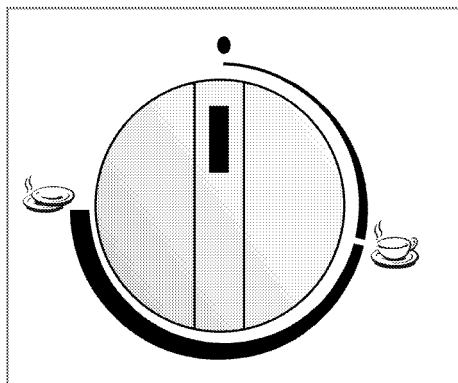
Overview



- 1 Warming drawer
- 2 On/Off button (for mechanical models only)
- 3 Function knob



Function knob-Electronics models



Function knob-Mechanical models

- 0 Off
-  Cup heating
-  Plate heating

Technical specifications

	Electronics models	Mechanical models
Voltage / frequency	220-240 V ~ 50 Hz	220-240 V ~ 50 Hz
Total electric power	800 W	400 W
Fuse	16 A	6 A
Cable type / section	H05VV-FG 3 x 1,5 mm ²	H05VV-FG 3 x 0,75 mm ²
Cable length	max. 2 m	max. 2 m
External dimensions (height / width / depth):	141 mm/ 594 mm/ 523 mm	141 mm/ 594 mm/ 523 mm
Installation dimensions (height / width / depth) :	145 mm/ 560 mm/ min.550 mm	145 mm/ 560 mm/ min.550 mm

3 Installation

Product must be installed by a qualified person in accordance with the regulations in force. Otherwise, the warranty shall become void. Manufacturer shall not be held responsible for damages arising from procedures carried out by unauthorized persons, and the product's warranty shall become invalid.

i The customer is responsible for the preparation of the location at which the oven will be installed and the necessary electrical wiring.

! The product must be installed in accordance with all local electrical regulations.

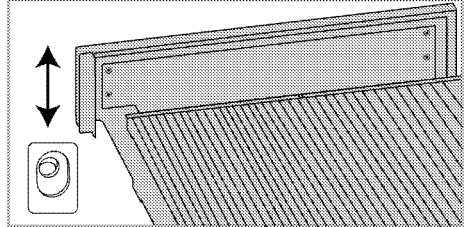
! Prior to installation, visually check if the product has any defects on it.
If so, do not have it installed.
Damaged products cause risks for your safety.

Appropriate installation location

This product is designed to be installed into commercially available kitchen furniture. A safety distance must be left between the appliance and the kitchen walls and furniture. See figure (values in mm).

Drawer Frontal Alignment

To adjust VERTICAL alignment of drawer frontal, slacken off 4 screws on rear of frontal and retighten when in designal position.

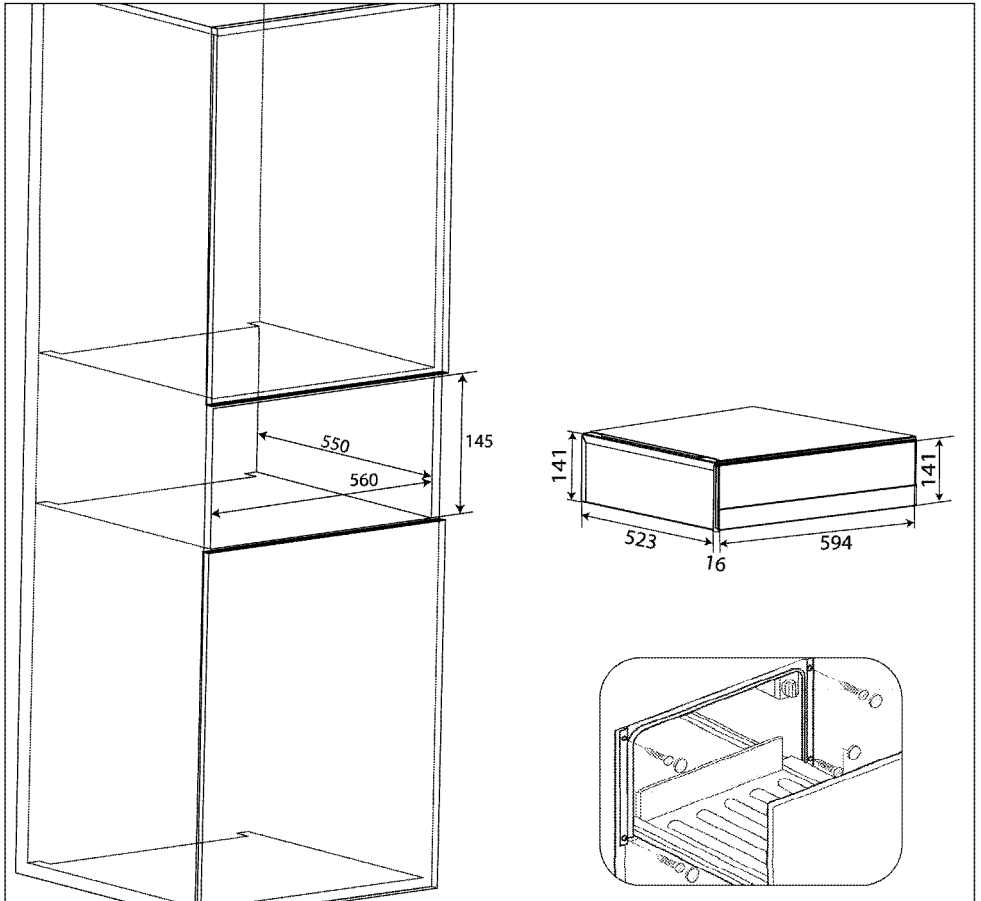


- Surfaces, synthetic laminates and adhesives used must be heat resistant (minimum 100°C).
- Remove the packaging material and transport locks.

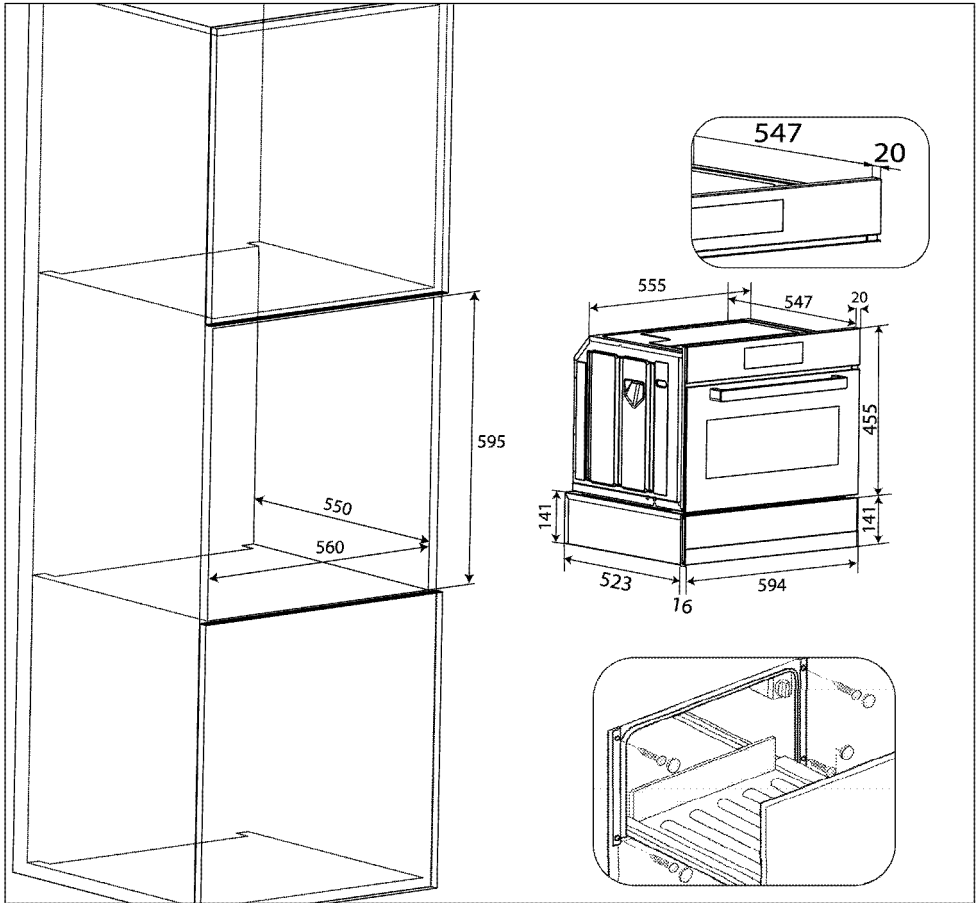
i Do not install the product next to refrigerators or freezers. The heat emitted by the product will increase the energy consumption of cooling appliances.

i The weight of the product on the warming drawer should be max.50 Kg. Products weighing more than 50 Kg may damage the drawer.

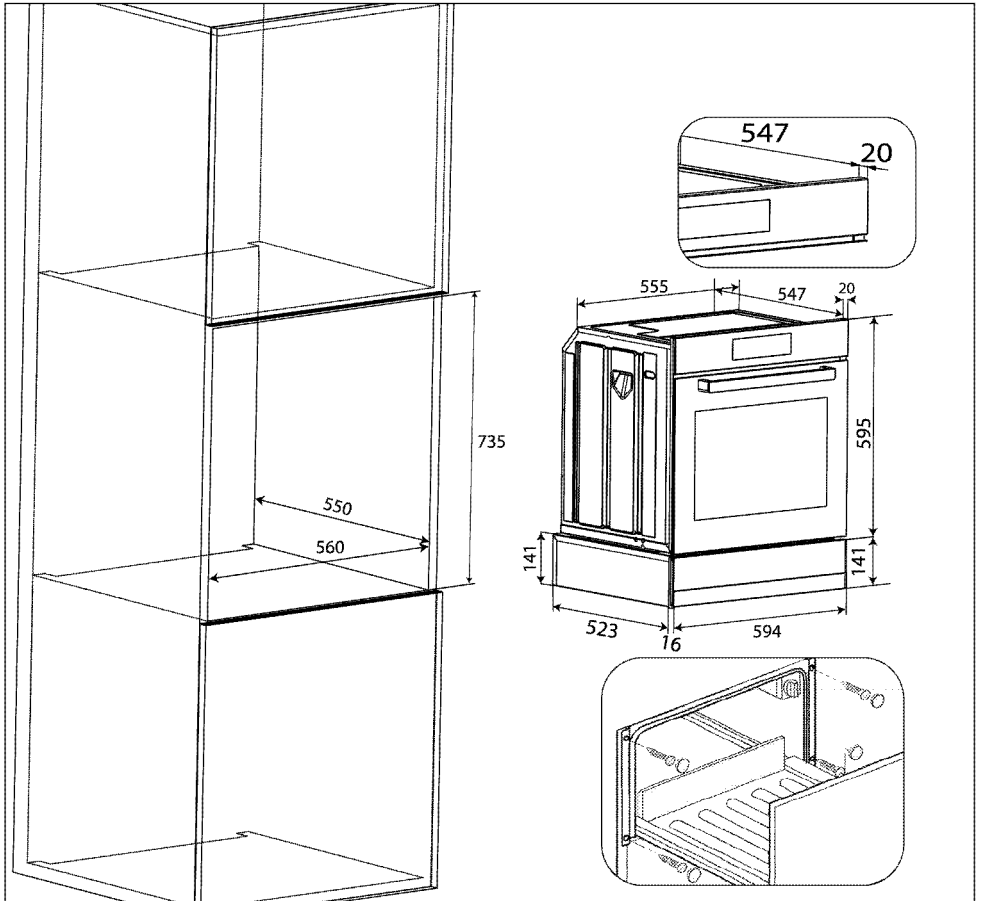
i Do not use the door and/or handle to carry or move the product.



Warming Drawer in a tower unit without oven



Warming Drawer below a 45 cm Compact Oven in a tower unit



Warming Drawer below a 60 cm Compact Oven in a tower unit


Electrical connection

The product must be installed in accordance with all local gas and electrical regulations.


Connect the product to a grounded outlet protected by a fuse complying with the values in the "Technical specifications" table. Do not neglect to have the grounding installation made by a qualified electrician while using the product with or without a transformer. Our company shall not be liable for any damages that will arise when the product is used without grounding in accordance with the local regulations.

Product must be used with a grounded line!

Manufacturer shall not be liable for any damages that will arise due to using the product without a grounding installation.


 The product must be connected to the mains supply only by an authorised and qualified person. The product's warranty period starts only after correct installation.

Manufacturer shall not be held responsible for damages arising from procedures carried out by unauthorised persons.

 The power cable must not be clamped, bent or trapped or come into contact with hot parts of the product.

A damaged power cable must be replaced by a qualified electrician. Otherwise, there is risk of electric shock, short circuit or fire!

- Connection must comply with national regulations.
- The mains supply data must correspond to the data specified on the type label of the product. Type label is at the rear wall of the product.
- Power cable of your product must comply with the values in "Technical specifications" table.

 Before starting any work on the electrical installation, disconnect the product from the mains supply.

There is the risk of electric shock!

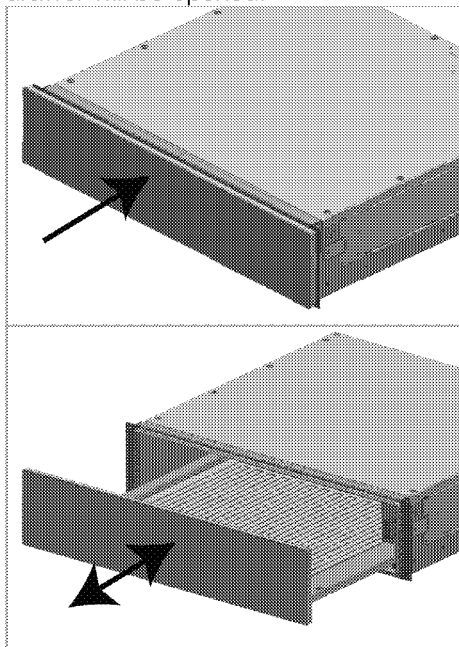
Final check

1. Plug in the power cable and switch on the electrical fuse of the home.
2. Check to see if the product is operational or not.

4 Using the warming drawer

Opening the drawer

Rotate in the arrow direction towards the drawer to open the drawer. The drawer will be opened.



Push the front of the open drawer to fully close and latch it.

Warm keeping the plates

i The product heats only when the drawer is fully closed.

In the drawer you can heat the plates or keep the meals warm.

Warming the plates

If the plates are heated then the meals will get cool in a longer time.

General plates

You can load max. 25 kg into the warming drawer. For example you can preheat a menu plate of 6 or 12-person.

6 x menu plate	Ø 24 cm
6 x soup bowl	Ø 10 cm
1 x service plate	Ø 19 cm
1 x service plate	Ø 17 cm
1 x meat service plate	32 cm.



Placing the plates

Spread the plates all over the area as far as possible. It will take longer for higher plate stacks to get warm with respect to single plates.

Drink containers



Heat containers such as espresso cups

always heat at  or 60-70°C level.

 or  80 °C will make the glasses too hot. Risk of burning.

Usage

1. Place the plates into the drawer.
2. Press the on/off switch for the mechanical models.
3. Set the function selection switch to

 or  80 °C level. For drink

containers always select  or 60-70°C level.

4. Close the heating drawer. Warning indicator will lit, the product will be heated.

Preheating time

The preheating time varies depending on the material, thickness, number and height of the plates. Spread the plates all over the area as far as possible.


A 6-person dinner setting will take approx 15-20 minutes.

Turning off the product

Open the drawer. Turn the function selection switch to the **0/OFF** off position. For mechanical models, also press the on/off switch to turn it off.

Collecting the plates

Collect the plate using oven gloves or cloth.

 The surface of the heating plate is very hot. The bottom plates will be hotter than the top plates.

Warm keeping the meals

Do not place hot soucepans or pans on the glass surface of the warming drawer immediately after removing them from the hot hob. This could damage the glass surface.

Do not overfill the plates to prevent overflowing.

Cover the meals with a heat resistant lid or aluminum foil.

We recommend you to keep the meals warm for max. 1 hour.

Appropriate meals

Appropriate for meat, poultry, fish sauces, vegetables, garnishes and soups.

Usage

1. Place the plates into the drawer.
2. Set the function selection switch 80 °C level and preheat the product for 10 minutes.
3. Close the heating drawer. Warning indicator will lit, the product will be heated.

Turning off the product

Open the drawer. Turn the function selection switch to the **0/OFF** off position. For mechanical models, also press the on/off switch to turn it off.


Collecting the plates

Collect the plate using oven gloves or cloth.

Usage table

There are various types of usage are indicated in the table for the warm keeping drawer.

Depending on the indicated cases in the table, you should do a preheating.

Stage	Meals/Plate	Description
40 - 50°C	Delicate deep frozen food, e.g. Cream cake, butter, sausage, cheese.	Defrost
40 - 50°C	Fermenting the yeast dough	Cover it
60 - 70°C	Deep freeze food, e.g. Meat, cake, bread	Defrost
60 - 70°C	Warm keeping the eggs, e.g. Boiled egg, scrambled egg	Preheat the container, cover the meal
60 - 70°C	Warm keeping the bread, e.g. Toast bread, sandwich bread...	Preheat the container, cover the meal
60 - 70°C	Warm heating the drink containers	e.g. espresso cups
60 - 70°C	Delicate meals, e.g. rare cooked meat	Cover the plate
80°C	Warm keeping the meals	Preheat the container, cover the meal
80°C	Warm keeping the drinks	Preheat the container, cover the meal
80°C	Heating the pita, e.g. Wrap, omelet, Tacos	Preheat the container, cover the meal
80°C	Warm keeping the cookies, e.g. Muffins, cookies	Preheat the container, cover the meal
80°C	Melting block chocolate and chocolate topping	Preheat the container, cover the meal
80°C	Preheat the container, cover the meal	Uncovered, approx. 20 minutes
 80°C	Warming the plates	Not appropriate for drink containers.

5 Maintenance and care

General information

Service life of the product will extend and frequent problems will decrease if the product is cleaned at regular intervals.

- i** Disconnect the product from mains supply before starting maintenance and cleaning works. There is the risk of electric shock!
- i** Allow the product to cool down before you clean it. Hot surfaces may cause burns!
- Clean the product thoroughly after each use. In this way it will be possible to remove cooking residues more easily, thus avoiding these from burning the next time the appliance is used.
- No special cleaning agents are required for cleaning the product. Use warm water with washing liquid, a soft cloth or sponge to clean the product and wipe it with a dry cloth.
- Ensure that all residual fluids are removed after cleaning and also ensure that food materials splattered during cooking are cleaned immediately.
- Do not use cleaning agents that contain acid or chloride to clean the stainless or inox surfaces and the handle. Use a soft cloth with a liquid detergent (not abrasive) to wipe those parts clean, paying attention to sweep in one direction.
- i** The surface might get damaged by some detergents or cleaning materials. Do not use aggressive detergents, cleaning powders/creams or any sharp objects during cleaning.

i Do not use steam cleaners for cleaning.

Steel surfaces

Lime, grease, starch and protein stains should be removed immediately. Such stains can cause corrosion beneath.

Products with inox surfaces

Use a mild glass cleaning agent and a soft glass cleaning cloth or a lint-free microfiber cloth. Clean the surface without applying too much pressure and in vertical direction.

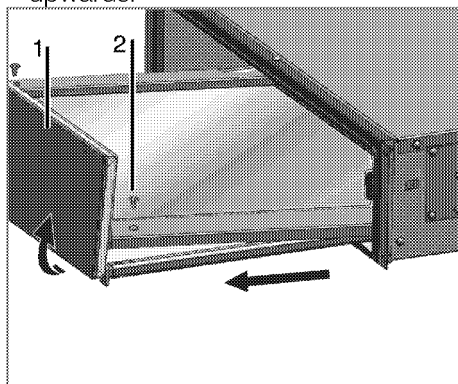
Heating plate

Clean the heating plate with hot water and a little amount of detergent.

Removing the Drawer

You can remove the drawer to clean the interior of the drawer.

1. Fully take out the drawer.
2. Remove the 2 screws on the front section.
3. Hold the drawer from front right and left positions and lift approx. 5° upwards.



- 1 Drawer
- 2 Screw
4. Carefully pull the drawer towards yourself and place aside. Clean the

interior of the product with a damp cloth and detergent and wipe it dry.



Never submerge the drawer into water.

Installing the Drawer

Follow the above steps in reverse order to install back the drawer.

Place the drawer on the racks. Pull the right and left side racks to front, until the screws are located in the holes. Secure the screws.

6 Troubleshooting

Before you call the technical service, please check the following points.

Plates and/or meals are cold.

- The product is not turned on >>> *Check if the product is turned on.*
- The drawer is not fully closed >>> *Check if the drawer is fully closed.*
- Power is cut. >>> *Check if there is power. Check the fuses in the fuse box. If necessary, replace or reset the fuses.*

Plates and/or meals are not hot enough.

- Plates and/or meals are not heated for a sufficient amount of time.
- The drawer is left open for a long time.

Warning lamp is flashing.

- Check if the drawer is closed. If you cannot close the drawer, check the position of the stretching hook as indicated in the "Maintenance and cleaning" section.

Warning lamp flashes rapidly while the warm keeping drawer is closed.

- Call the authorised service agent.

Warning lamp not lit.

- Warning lamp is faulty. >>> *Call the authorised service agent.*

The fuse at the fusebox is short circuited.

- Unplug the mains cable and call the authorised service agent.

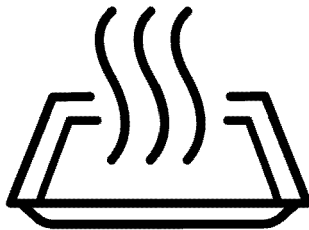


Consult the Authorized Service Agent or the dealer where you have purchased the product if you can not remedy the trouble although you have implemented the instructions in this section. Never attempt to repair a defective product yourself.



Die Wärmeschublade

Gebrauchsanleitung



DE

Bitte zuerst diese Bedienungsanleitung lesen!

Sehr geehrte Kundin, sehr geehrter Kunde,
vielen Dank für den Kauf eines Beko-Produktes. Wir hoffen, dass dieses Produkt, das mit hochwertiger und hochmoderner Technologie hergestellt wurde, beste Ergebnisse erzielt. Daher bitte die gesamte Bedienungsanleitung und alle beiliegenden Dokumente aufmerksam durchlesen und zum zukünftigen Nachschlagen aufbewahren. Bei Weitergabe des Produktes auch die Bedienungsanleitung mit aushändigen. Alle Warnungen und Informationen in der Bedienungsanleitung einhalten. Bitte beachten, dass diese Bedienungsanleitung für unterschiedliche Modelle geschrieben wurde. Unterschiede zwischen den verschiedenen Modellen werden natürlich in der Anleitung erwähnt.

Die Symbole

In dieser Anleitung verwenden wir folgende Symbole:



Wichtige Informationen oder nützliche Tipps zum Gebrauch.



Warnung vor gefährlichen Situationen, in denen es zu Verletzungen oder Sachschäden kommen kann.



Warnung vor Stromschlägen.



Warnung vor Brandgefahr.



Warnung vor heißen Flächen.



Arçelik A.Ş.
Karaağaç caddesi No:2-6
34445 Sütlüce/Istanbul/TURKEY
Made in TURKEY

1 Wichtige Sicherheits- und Umwelthinweise **4**

Allgemeine Sicherheit.....	4
Elektrische Sicherheit.....	5
Gerätesicherheit.....	6
Bestimmungsgemäße Verwendung.....	7
Sicherheit von Kindern.....	7
Informationen zur Entsorgung.....	7
Verpackungsmaterialien entsorgen.....	9
Transport.....	9

2 Allgemeine Informationen **10**

Geräteübersicht.....	10
Technische Daten.....	11

3 Installation **12**

Der richtige Aufstellungsort.....	12
Elektrischer Anschluss.....	16

4 Verwenden der Warmhalteschublade **17**

Warmhalten der Teller.....	17
Warmhalten der Speisen.....	18
Verwendungstabelle.....	19

5 Reinigung und Wartung **20**

Allgemeine Hinweise.....	20
Herausnehmen der Schublade.....	20

6 Problemlösung **22**

1 Wichtige Sicherheits- und Umwelthinweise

Dieser Abschnitt enthält Hinweise, die für die Sicherheit des Benutzers und anderer Personen unerlässlich sind. Diese Hinweise müssen beachtet werden, damit es nicht zu Verletzungen oder Sachschäden kommt. Bei Nichteinhaltung dieser Anweisungen erlöschen sämtliche Garantieansprüche.

Allgemeine Sicherheit

- Dieses Gerät darf von Kindern (ab acht Jahren) oder Personen bedient werden, die unter körperlichen, sensorischen oder geistigen Einschränkungen leiden oder denen es an der nötigen Erfahrung und Wissen im Umgang mit solchen Geräten mangelt, wenn solche Personen beaufsichtigt werden und, zuvor gründlich mit der sicheren Bedienung des Gerätes vertraut gemacht wurden und sich der damit verbundenen Gefahren voll und ganz bewusst sind. Kinder dürfen nicht mit dem Gerät spielen. Reinigungs- und Wartungsarbeiten dürfen von Kindern nicht ohne Aufsicht eines Erwachsenen durchgeführt werden.
- Das Gerät darf nicht von Personen genutzt werden, die unter körperlichen oder geistigen Einschränkungen leiden oder denen es an der nötigen Erfahrung im Umgang mit solchen Geräten mangelt. Ausnahmen sind nur dann möglich, wenn solche Personen beaufsichtigt werden oder gründlich über den richtigen Umgang mit dem Gerät aufgeklärt wurden. Dies gilt natürlich auch für Kinder. Kinder müssen stets beaufsichtigt werden, damit sie nicht mit dem Gerät spielen.
- Falls das Produkt an jemand anderen zur persönlichen oder Secondhand-Benutzung übergeben wird, sollten Bedienungsanleitung, Produktetiketten und andere relevante Dokumente und Teile ebenfalls übergeben werden.
- Produkt niemals auf einen Teppichboden stellen.

Andernfalls kann die geringe Luftzirkulation unter dem Produkt eine Überhitzung der elektrischen Teile zur Folge haben. Dies führt zu Problemen mit dem Produkt.

- Installation und Reparaturen müssen grundsätzlich vom autorisierten Kundendienst ausgeführt werden. Der Hersteller haftet nicht für Schäden, die durch den Eingriff nicht autorisierter Personen entstehen; zudem kann dadurch die Garantie erlöschen. Vor der Installation aufmerksam alle Anweisungen lesen.
- Gerät nicht nutzen, falls es nicht ordnungsgemäß funktioniert oder sichtbare Beschädigungen aufweist.
- Nach jeder Benutzung prüfen, ob die Funktionsknöpfe des Produktes ausgeschaltet sind.

Elektrische Sicherheit

- Falls das Produkt einen Fehler aufweist, sollte es bis zur Reparatur durch einen autorisierten Kundendienstmitarbeiter nicht in Betrieb genommen werden. Es besteht Stromschlaggefahr!

- Schließen Sie das Produkt nur an eine geerdete Steckdose an, deren Spannung und Schutz den Angaben unter „Technische Daten“ entsprechen. Lassen Sie durch einen qualifizierten Elektriker eine Erdung vornehmen. Unser Unternehmen haftet nicht für Probleme, die durch ein nicht entsprechend den örtlichen Richtlinien geerdetes Produkt entstehen.
- Reinigen Sie das Produkt niemals, indem Sie Wasser darauf verteilen oder schütten! Es besteht Stromschlaggefahr!
- Berühren Sie den Stecker niemals mit feuchten oder gar nassen Händen! Trennen Sie das Kabel niemals durch Ziehen am Kabel; greifen und ziehen Sie immer am Stecker.
- Das Produkt darf während Installation, Wartung, Reinigung und Reparatur nicht an eine Steckdose angeschlossen sein.
- Falls das Netzkabel des Produktes beschädigt ist, muss es zur Vermeidung von Gefahren vom Hersteller, einem

Kundendienstmitarbeiter oder vergleichbar qualifizierten Personen ausgetauscht werden.

- Verwenden Sie nur das unter „Technische Daten“ angegebene Anschlusskabel.
- Das Gerät muss so installiert sein, dass es vollständig vom Netzwerk getrennt werden kann. Die Trennung muss entsprechend den Baurichtlinien entweder durch einen Netzstecker oder einen in der festen elektrischen Installation eingebauten Schalter ermöglicht werden.
- Jegliche Arbeiten an elektrischen Geräten und Systemen sollten von autorisierten und qualifizierten Personen ausgeführt werden.
- Schalten Sie das Gerät bei Schäden aus, unterbrechen Sie die Stromversorgung. Schalten Sie dazu die Sicherungen im Haus ab.
- Stellen Sie sicher, dass die Sicherungsangaben mit dem Produkt kompatibel sind.

Gerätesicherheit

- Im Betrieb erhitzen sich zugängliche Teile des

Gerätes. Berühren Sie keine heißen Stellen. Kinder unter 8 Jahren sollten sich nur in Begleitung eines Erwachsenen in der Nähe des Gerätes aufhalten.

- Lagern Sie keine brennbaren Materialien und Kunststoffbehälter in der Warmhalteschublade.
- Frakturen, Risse und Sprünge auf der Heizplatte können einen Stromschlag verursachen. Trennen Sie das Netzkabel vom Strom bzw. schalten Sie die Sicherung ab. Wenden Sie sich an den autorisierten Kundendienst.
- Achten Sie darauf, dass sich keine brennbaren Gegenstände in der Nähe des Gerätes befinden – die Seitenflächen können sich im Betrieb stark erhitzen.
- Das Gerät kann sich im Betrieb stark aufheizen. Berühren Sie niemals heiße Teile, das Innere des Ofens, Heizelemente und so weiter.
- Bringen Sie die Heizplatte nicht in Kontakt mit der Warmhalteschublade, da diese dadurch beschädigt werden kann.

- Erwärmen Sie im Ofen keine Lebensmittel in geschlossenen Behältern oder in Gläsern. Dadurch kann ein Überdruck entstehen, der den Behälter zum Platzen bringt.
- Reinigen Sie das Gerät nicht mit Dampfreinigern; es besteht Stromschlaggefahr.
- Verwenden Sie beim Einlegen von Tellern in die Warmhalteschublade immer einen Kochhandschuh.

Brandsicherheit:

- Achten Sie darauf, dass der Netzstecker komplett in die Steckdose eingesteckt wird; andernfalls besteht Brandgefahr durch Funkenüberschläge.
- Betreiben Sie das Gerät nicht mit beschädigten Netzkabeln, verwenden Sie ausschließlich Originalkabel.
- Vergewissern Sie sich, dass die Steckdose, an die das Gerät angeschlossen wird, nicht feucht ist.

Bestimmungsgemäße

Verwendung

- Dieses Gerät wurde für den reinen Hausgebrauch

entwickelt. Eine gewerbliche Nutzung ist nicht zulässig.

- Der Hersteller haftet nicht für Schäden, die durch unsachgemäßen Gebrauch oder falsche Bedienung verursacht werden.

Sicherheit von Kindern

- Verschiedene Teile des Gerätes werden während des Gebrauchs heiß. Daher kleine Kinder vom Gerät fernhalten.
- Verpackungsmaterialien können eine Gefahr für Kinder darstellen. Sämtliche Verpackungsmaterialien an einem sicheren Ort und außerhalb der Reichweite von Kindern aufbewahren.
- Elektrische Produkte können eine Gefahr für Kinder darstellen. Kinder im Betrieb daher unbedingt vom Gerät fernhalten. Kinder nicht mit dem Gerät spielen lassen.

Informationen zur

Entsorgung

Ihre Pflichten als Endnutzer



Dieses Elektro- bzw. Elektronikgerät ist mit einer durchgestrichenen Abfalltonne auf Rädern gekennzeichnet.

Das Gerät darf deshalb nur getrennt vom unsortierten Siedlungsabfall gesammelt und zurückgenommen werden. Es darf somit nicht in den Hausmüll gegeben werden. Das Gerät kann z.B. bei einer kommunalen Sammelstelle oder ggf. bei einem Vertreter (siehe unten zu deren Rücknahmepflichten in Deutschland) abgegeben werden.

Das gilt auch für alle Bauteile, Unterbaugruppen und Verbrauchsmaterialien des zu entsorgenden Altgeräts. Bevor das Altgerät entsorgt werden darf, müssen alle Altbatterien und Akkumulatoren vom Altgerät getrennt werden, die nicht vom Altgerät umschlossen sind. Das gleiche gilt für Lampen, die zerstörungsfrei aus dem Altgerät entnommen werden können. Der Endnutzer ist zudem selbst dafür verantwortlich, personenbezogene Daten auf dem Altgerät zu löschen.

Hinweise zum Recycling



Helfen Sie mit, alle Materialien zu recyceln, die mit diesem Symbol gekennzeichnet sind.

Entsorgen Sie solche Materialien, insbesondere Verpackungen, nicht im Hausmüll, sondern über die bereitgestellten Recyclingbehälter oder die entsprechenden örtlichen Sammelsysteme. Recyceln Sie zum Umwelt- und Gesundheitsschutz elektrische und elektronische Geräte.

Rücknahmepflichten der Vertreter

Wer auf mindestens 400 m² Verkaufsfläche Elektro- und Elektronikgeräte vertreibt oder diese gewerblich an Endnutzer abgibt, ist verpflichtet, bei Abgabe eines neuen

Gerätes, ein Altgerät des Endnutzers der gleichen Geräteart, das im Wesentlichen die gleichen Funktionen wie das neue Gerät erfüllt, am Ort der Abgabe oder in unmittelbarer Nähe, unentgeltlich zurückzunehmen. Das gilt auch für Vertreter von Lebensmitteln mit einer Gesamtverkaufsfläche von mindestens 800 m², die mehrmals im Kalenderjahr oder dauerhaft Elektro- und Elektronikgeräte anbieten und auf dem Markt bereitstellen. Solche Vertreter müssen zudem auf Verlangen des Endnutzers Altgeräte, die in keiner äußeren Abmessung größer als 25 cm sind, (kleine Elektrogeräte) im Einzelhandelsgeschäft oder in unmittelbarer Nähe hierzu unentgeltlich zurückzunehmen; die Rücknahme darf in diesem Fall nicht an den Kauf eines Elektro- oder Elektronikgerätes verknüpft, kann aber auf drei Altgeräte pro Geräteart beschränkt werden. Ort der Abgabe ist auch der private Haushalt, wenn das neue Elektro- oder Elektronikgerät dorthin geliefert wird; in diesem Fall ist die Abholung des Altgerätes für den Endnutzer kostenlos. Die vorstehenden Pflichten gelten auch für den Vertrieb unter Verwendung von Fernkommunikationsmitteln, wenn die Vertreter Lager- und Versandflächen für Elektro- und Elektronikgeräte bzw. Gesamtlager und Versandflächen für Lebensmittel beinhalten, die den oben genannten Verkaufsflächen entsprechen. Die unentgeltliche Abholung von Elektro- und Elektronikgeräten ist dann aber auf Wärmeüberträger (z.B. Kühlschrank), Bildschirme, Monitore und Geräte, die Bildschirme mit einer Oberfläche von mehr als 100 cm² enthalten und Geräte beschränkt, bei denen mindestens eine der äußeren Abmessungen mehr als 50 cm beträgt. Für alle übrigen Elektro- und

Elektronikgeräte muss der Vertreiber geeignete Rückgabemöglichkeiten in zumutbarer Entfernung zum jeweiligen Endnutzer gewährleisten; das gilt auch für kleine Elektrogeräte (s.o.), die der Endnutzer zurückgeben möchte, ohne ein neues Gerät zu erwerben.

Einhaltung von RoHS-Vorgaben:


Das von Ihnen erworbene Produkt erfüllt die Vorgaben der EU-RoHS Direktive (2011/65/EU). Es enthält keine in der Direktive angegebenen gefährlichen und unzulässigen Materialien.

Verpackungsmaterialien entsorgen

- Die Verpackung des Gerätes besteht aus wiederverwertbaren Materialien. Entsorgen Sie diese vorschriftsgemäß und entsprechend sortiert. Entsorgen

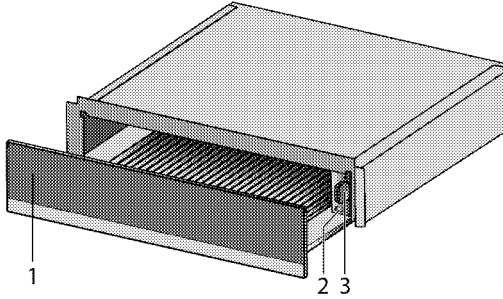
Sie solche Materialien nicht mit dem normalen Hausmüll.

Transport

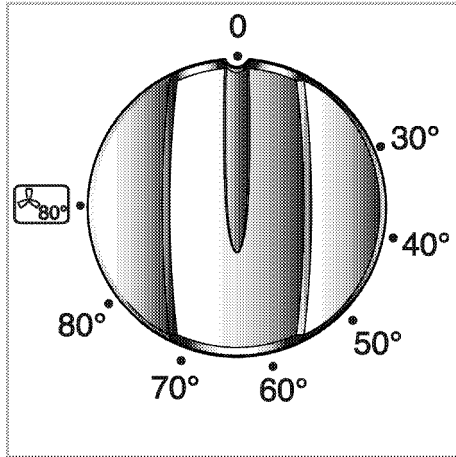
- Bewahren Sie den Originalkarton auf, falls Sie das Gerät künftig transportieren müssen. Halten Sie sich an die Hinweise auf dem Karton. Falls Sie den Originalkarton nicht mehr besitzen sollten, verpacken Sie das Gerät in Luftpolsterfolie oder starken Karton, anschließend gut mit Klebeband sichern.
-  Überprüfen Sie das Gerät nach dem Transport genau, überzeugen Sie sich davon, dass es nicht zu Beschädigungen gekommen ist.

2 Allgemeine Informationen

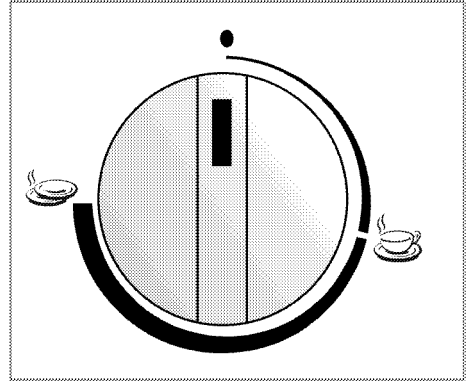
Geräteübersicht



- 1 Warmhalteschublade
- 2 Ein-/Austaste (nur mechanische Modelle)
- 3 Programmauswahl taste



Programmauswahl taste-Elektronische Modelle



Programmauswahl taste-Mechanische Modelle

- 0 Aus
-  Tassen anwärmen
-  Teller anwärmen

Technische Daten

	Elektronische Modelle	Mechanische Modelle
Spannung/Frequenz	220-240 V ~ 50 Hz	220-240 V ~ 50 Hz
Gesamtleistungsaufnahme	800 W	400 W
Sicherung	16 A	6 A
Kabeltyp/Kabelquerschnitt	H05VV-FG 3 x 1,5 mm ²	H05VV-FG 3 x 0,75 mm ²
Kabellänge	max. 2 m	max. 2 m
Außenabmessungen (Höhe/Breite/Tiefe):	141 mm/ 594 mm/ 523 mm	141 mm/ 594 mm/ 523 mm
Installationsabmessungen (Höhe/Breite/Tiefe):	145 mm/ 560 mm/ min.550 mm	145 mm/ 560 mm/ min.550 mm

3 Installation

Das Gerät muss von einer Fachkraft gemäß gültigen Bestimmungen installiert werden. Andernfalls erlischt die Garantie. Der Hersteller haftet nicht für Schäden, die durch Aktivitäten nicht autorisierter Dritter entstehen; zudem erlischt dadurch die Garantie.

i Der Kunde ist verantwortlich für die Vorbereitung des Standortes, an dem die Wärmeschublade installiert werden soll, sowie die notwendigen elektrischen Leitungen.

! Die Installation des Gerätes muss in Übereinstimmung mit sämtlichen zutreffenden Vorschriften zur Elektroinstallation erfolgen.

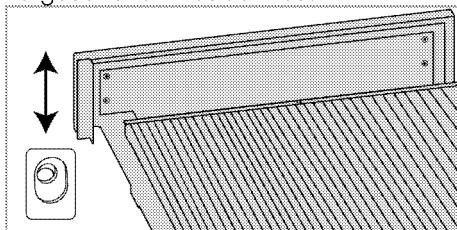
! Schauen Sie sich das Gerät vor der Installation gut an, überzeugen Sie sich davon, dass es keine sichtbaren Defekte aufweist. Falls doch, darf es nicht installiert werden. Beschädigte Geräte müssen grundsätzlich als Sicherheitsrisiko betrachtet werden.

Der richtige Aufstellungsort

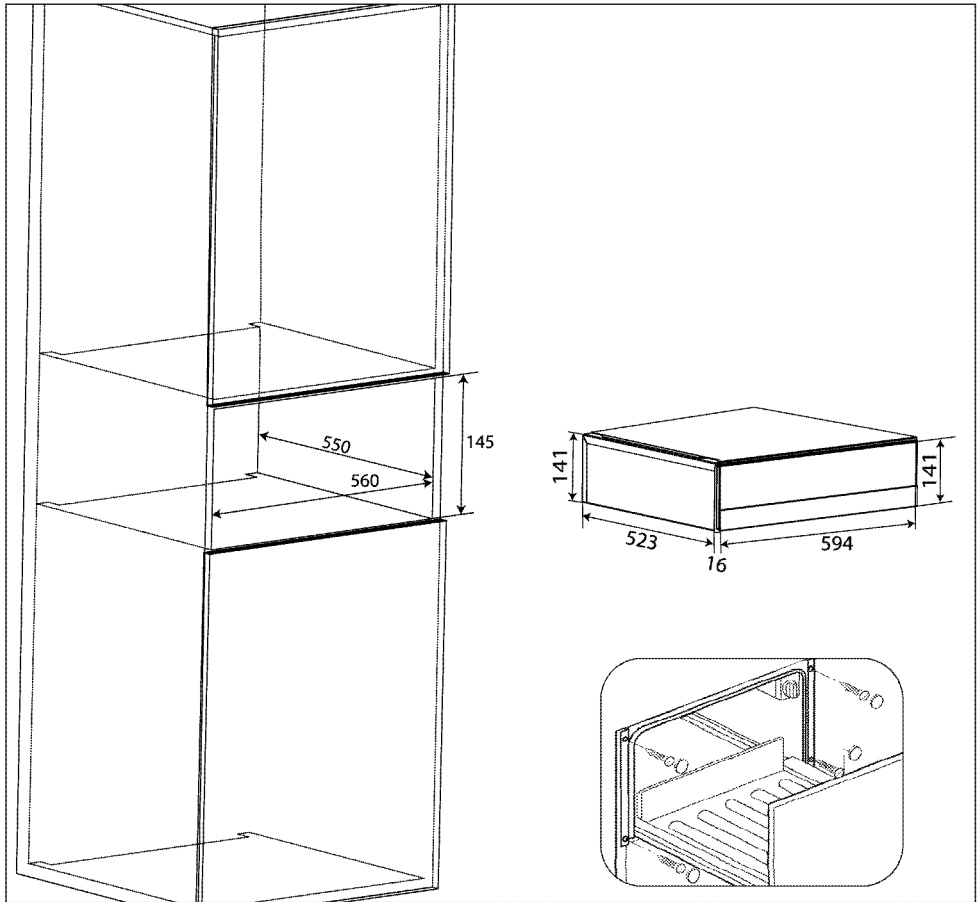
Das Gerät ist zum Einbau in handelsübliche Küchenmöbel vorgesehen. Zwischen Gerät und angrenzenden Küchenwänden und -möbeln muss ein Sicherheitsabstand verbleiben. Siehe Abbildung (Angaben in mm).

Schubladenfrontausrichtung

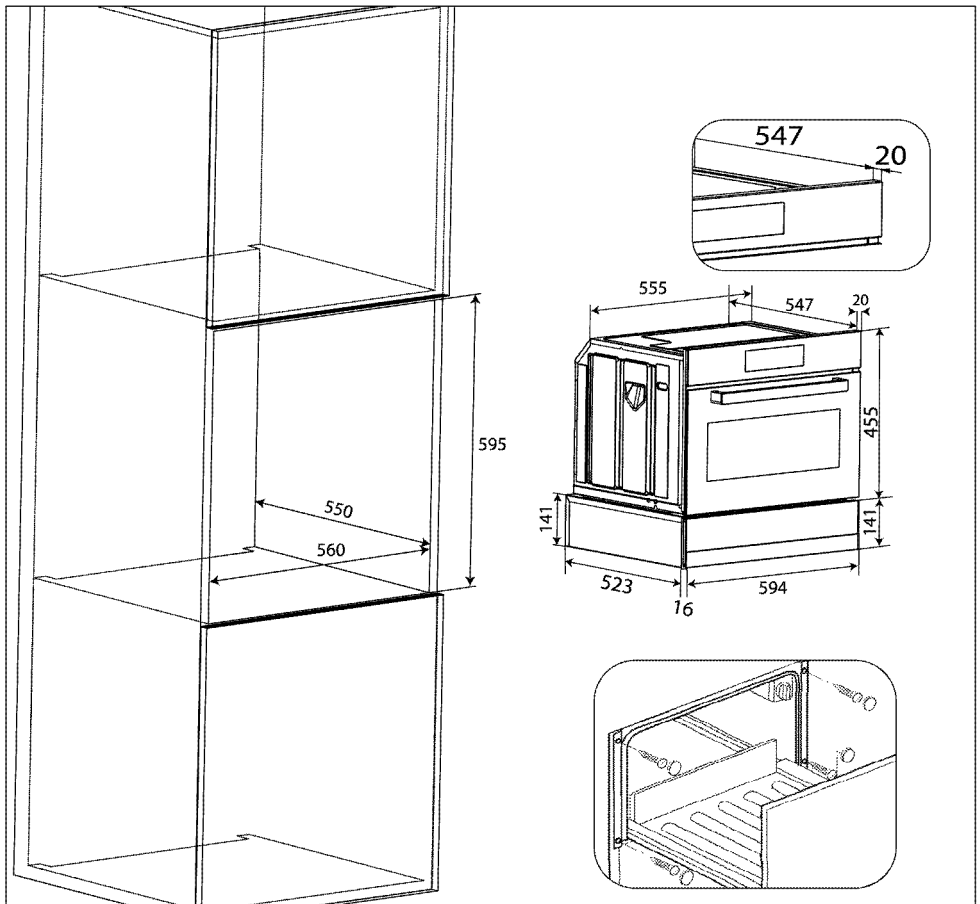
Um die VERTIKALE Ausrichtung der Schubladenfront einzustellen, lösen Sie die 4 Schrauben an der Rückseite der Front und ziehen Sie sie in der vorgesehenen Position fest.



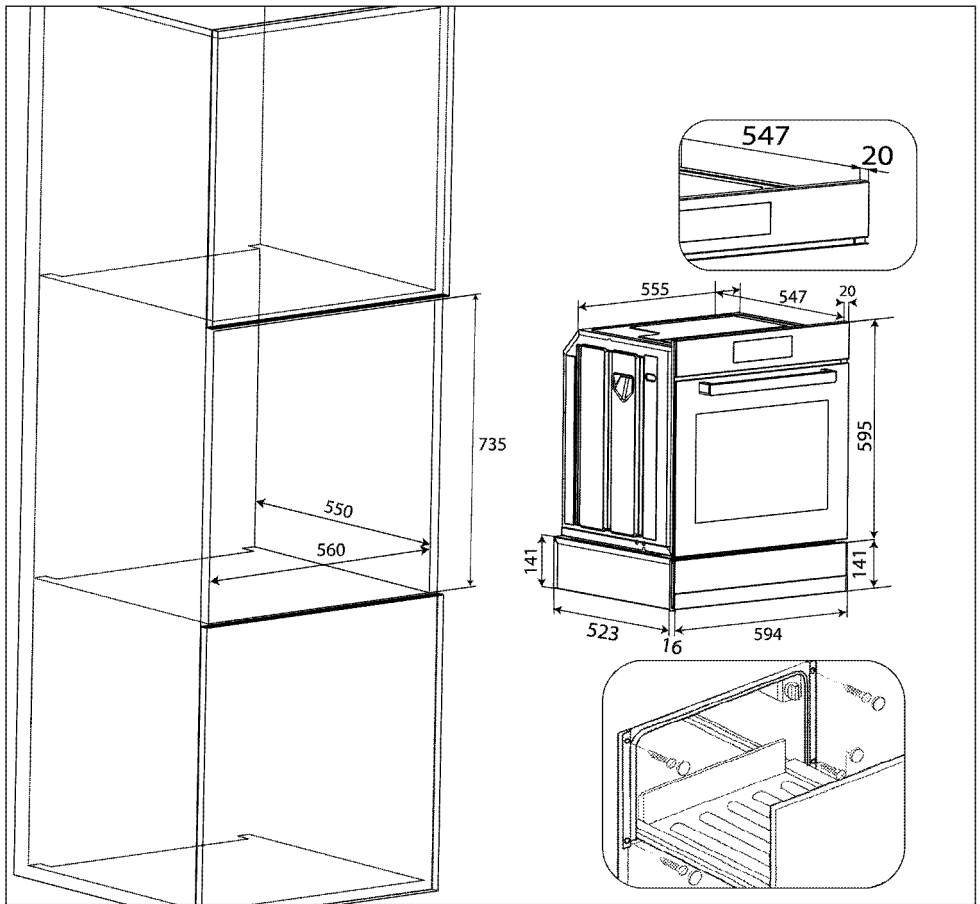
- Oberflächen, Kunststoffbeläge und verwendete Kleber müssen hitzebeständig sein (bis mindestens 100 °C).
- Entfernen Sie das Verpackungsmaterial und die Transportsicherungen.
- i** Stellen Sie das Gerät nicht neben Kühl- oder Gefriergeräten auf. Die Wärmeabgabe des Gerätes führt zu steigendem Energieverbrauch der Kühlgeräte.
- i** Das Gewicht des Produkts in der Wärmeschublade sollte maximal 50 kg betragen. Produkte mit einem Gewicht von mehr als 50 kg können die Schublade beschädigen.
- i** Missbrauchen Sie die Tür/den Türgriff nicht zum Anheben oder Bewegen des Gerätes.



Wärmeschublade in einer Turmeinheit ohne Backofen



Wärmeschublade unter einem 45 cm Kompaktofen in einer Turmeinheit



Wärmeschublade unter einem 60 cm Ofen in einer Turmeinheit


Elektrischer Anschluss

Die Installation des Gerätes muss in Übereinstimmung mit sämtlichen zutreffenden Vorschriften zur Gas- und Elektroinstallation erfolgen.


Schließen Sie das Gerät an eine geerdete Schutzkontaktsteckdose/Leitung an, die mit einer Sicherung passender Kapazität abgesichert wird – schauen Sie sich dazu die „Technische Daten“-Tabelle an. Lassen Sie durch einen qualifizierten Elektriker eine Erdung vornehmen, wenn Sie das Produkt mit oder ohne Transformator verwenden. Der Hersteller haftet nicht bei Schäden, die durch den Einsatz des Gerätes ohne vorschriftsmäßige Erdung entstehen.

Das Produkt muss geerdet werden!


Der Hersteller haftet nicht für Schäden, die durch eine Nutzung des Produktes ohne Erdung verursacht werden.

 Das Gerät darf nur von einer autorisierten Fachkraft an das Stromnetz angeschlossen werden.

Der Hersteller haftet nicht für Schäden, die durch Aktivitäten nicht autorisierter Dritter entstehen.

 Das Netzkabel darf nicht eingeklemmt, geknickt oder gequetscht werden und darf nicht mit heißen Geräteteilen in Berührung kommen. Beschädigte Netzkabel müssen durch einen zugelassenen Elektriker ausgetauscht werden. Andernfalls kann es zu Stromschlägen, Kurzschlüssen und Bränden kommen!

- Der Anschluss muss gemäß nationalen Richtlinien erfolgen.
- Die Netzanschlussdaten müssen mit den Daten auf dem Typenschild des Gerätes übereinstimmen. Das Typenschild befindet sich an der Rückseite des Gerätes.
- Das Netzkabel des Gerätes muss den Angaben der „Technische Daten“-Tabelle entsprechend gewählt werden.

 Trennen Sie das Gerät vollständig von der Stromversorgung, bevor Sie mit der Elektroinstallation beginnen.
Es besteht Stromschlaggefahr!

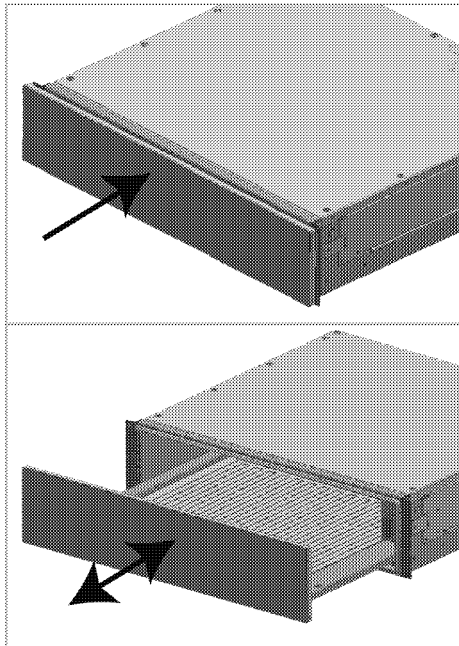
Endkontrolle

1. Schließen Sie das Netzkabel an, schalten Sie die entsprechende Sicherung ein.
2. Überprüfen Sie, ob das Produkt einsatzbereit ist.

4 Verwenden der Warmhalteschublade

Öffnen der Schublade

Drehen Sie in Pfeilrichtung zur Schublade hin, um die Schublade zu öffnen. Die Schublade öffnet sich.



Schieben Sie die Schublade in Richtung Abdeckung um sie zu schließen.

Warmhalten der Teller

i Das Gerät heizt nur, wenn die Schublade vollständig geschlossen ist.

In der Schublade können Sie Teller vorwärmen oder Speisen warm halten.

Vorwärmen der Teller

Wenn Teller vorgewärmt werden, halten sich die auf ihnen servierten Speisen länger warm.

Allgemeine Teller




Sie können die Warmhalteschublade mit max. 25 kg beladen. Zum Beispiel können Sie Menüteller für 6 bis 12 Personen vorwärmen.

6 Menüteller	Ø 24 cm
6 Suppenschüsseln	Ø 10 cm
1 Servierplatte	Ø 19 cm
1 Servierplatte	Ø 17 cm
1 Fleischservierplatte	32 cm.

Einlegen der Teller


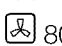
Verteilen Sie die Teller so weit wie möglich in der gesamten Schublade. Das Vorwärmen von Tellerstapeln dauert länger im Vergleich zu einzelnen Tellern.


Tassen

Tassen z.B. für Espresso immer bei  60-70°C vorwärmen. Bei  oder  80 °C werden die Tassen zu heiß. Verbrennungsgefahr!

Verwendung

1. Legen Sie die Teller in der Schublade.
2. Drücken Sie bei mechanischen Modellen den Ein-/Aussschalter.
3. Stellen Sie den Funktionsschalter auf

 oder  80 °C. Wählen Sie für

Tassen und Gläser immer  eine Vorwärmtemperatur zwischen 60 und 70°C.

4. Schließen Sie die Warmhalteschublade. Die Warnanzeige leuchtet auf und das Gerät heizt.

Vorwärmzeit

Die Vorwärmzeit variiert je nach Material, Dicke, Anzahl und Höhe der Teller. Verteilen Sie die Teller so weit wie möglich in der gesamten Schublade. Das Vorwärmen für ein Service für 6 Personen dauert ca. 15-20 Minuten.


Gerät abschalten

Öffnen Sie die Schublade. Stellen Sie den Funktionsschalter auf AUS. Für

mechanische Modelle schalten Sie bitte auch den Ein-/Ausschalter auf Aus.

Teller herausnehmen

Nehmen Sie die Teller mit einem Kochhandschuh oder Tuch heraus.

 Die Oberfläche der Teller ist sehr heiß. Dabei sind die unteren Teller heißer als die oberen.

Warmhalten der Speisen

Stellen Sie niemals heiße Töpfe und Pfannen auf den Glasboden in der Warmhalteschublade. Der Glasboden kann beschädigt werden.

Überfüllen Sie die Teller nicht, um ein Überlaufen zu verhindern.

Decken Sie die Mahlzeiten mit einem hitzebeständigen Deckel oder Alufolie ab.

Wir empfehlen Ihnen die Mahlzeiten für max. 1 Stunde warm zu halten.

Geeignete Speisen

Geeignet für Fleisch, Geflügel, Fisch, Saucen, Gemüse, Beilagen und Suppen.

Verwendung

1. Legen Sie die Teller in der Schublade.
2. Stellen Sie den Funktionsschalter auf 80 °C und heizen Sie das Gerät 10 Minuten vor.
3. Schließen Sie die Warmhalteschublade. Die Warnanzeige leuchtet auf und das Gerät heizt.

Gerät abschalten

Öffnen Sie die Schublade. Stellen Sie den Funktionsschalter auf AUS. Für mechanische Modelle schalten Sie bitte auch den Ein-/Ausschalter auf Aus.

Teller herausnehmen

Nehmen Sie die Teller mit einem Kochhandschuh oder Tuch heraus.

Verwendungstabelle

Verschiedene Arten der Nutzung der Warmhalteschublade werden in der Tabelle angegeben.

Das Vorwärmen sollte gemäß der Tabelle vorgenommen werden.

Phase	Speisen/Teller	Beschreibung
40 - 50°C	Empfindliche tiefgefrorene Lebensmittel, z.B. Cremetorten, Butter, Wurst, Käse.	Auftauen
40 - 50°C	Gärung von Hefeteig	Abdecken
60 - 70°C	Tiefgefrorene Speisen, z. B. Fleisch, Kuchen, Brot	Auftauen
60 - 70°C	Warmhalten von Eiern, z. B. gekochte Eier, Rührei	Wärmen Sie das Fach vor und decken Sie die Speise ab
60 - 70°C	Warmhalten von Brot, z.B. Toastbrot, Sandwichbrot...	Wärmen Sie das Fach vor und decken Sie die Speise ab
60 - 70°C	Warmhalten von Tassen oder Gläsern	z.B. Espresso-Tassen
60 - 70°C	Empfindliche Speisen, z. B. rohes Fleisch	Teller abdecken
80°C	Warmhalten der Speisen	Wärmen Sie das Fach vor und decken Sie die Speise ab
80°C	Warmhalten von Getränken	Wärmen Sie das Fach vor und decken Sie die Speise ab
80°C	Warmhalten von Pita, Wraps, Omelett, Tacos usw.	Wärmen Sie das Fach vor und decken Sie die Speise ab
80°C	Warmhalten von Cookies, Muffins, etc.	Wärmen Sie das Fach vor und decken Sie die Speise ab
80°C	Schmelzen von Block-Schokolade und Schokosaucen	Wärmen Sie das Fach vor und decken Sie die Speise ab
80°C	Wärmen Sie das Fach vor und decken Sie die Speise ab	Nicht abgedeckt, ca. 20 Minuten
 80°C	Vorwärmen der Teller	Nicht geeignet für Tassen oder Gläser.

5 Reinigung und Wartung

Allgemeine Hinweise

Durch regelmäßiges Reinigen verlängern Sie die Lebenserwartung Ihres Gerätes und beugen Fehlfunktionen vor.

i Trennen Sie das Gerät von der Stromversorgung, bevor Sie es reinigen oder warten. Es besteht Stromschlaggefahr!

i Lassen Sie das Gerät vor dem Reinigen gründlich abkühlen. Verbrennungsgefahr durch heiße Flächen!

- Reinigen Sie das Gerät nach jedem Einsatz gründlich. Dadurch lassen sich Speisereste leichter entfernen und können sich beim nächsten Einsatz des Gerätes nicht einbrennen.
- Zur Reinigung benötigen Sie keine Spezialreiniger. Verwenden Sie am besten warmes Wasser mit etwas herkömmlichem Reiniger, ein weiches Tuch oder einen Schwamm. Anschließend mit einem Tuch trocknen.
- Achten Sie darauf, dass nach dem Reinigen keine Feuchtigkeit auf der Glaskeramik verbleibt. Beseitigen Sie Verschmutzungen der Glaskeramik möglichst sofort.
- Verzichten Sie beim Reinigen von Edelstahl und Griffen auf Reinigungsmittel, die Säuren oder Chlor enthalten. Reinigen Sie diese Teile mit einem weichen Tuch und etwas Flüssigreiniger (kein Scheuermittel); wischen Sie dabei am besten nur in eine Richtung.

i Durch bestimmte Reiniger und Hilfsmittel können die Oberflächen des Gerätes beschädigt werden. Verwenden Sie bei der Reinigung keine aggressiven Reinigungsmittel, keine Scheuermittel und keine scharfen oder spitzen Gegenstände.

i Verzichten Sie auf Dampfreiniger.

Stahloberflächen

Kalk, Fett, Stärke und Eiweiß-Flecken sollten sofort entfernt werden. Diese Flecken können Rost verursachen.

Produkte mit Inox-Oberflächen

Verwenden Sie ein mildes Glasreinigungsmittel und ein weiches Tuch oder ein fusselfreies Mikrofaser Tuch. Reinigen Sie die Oberfläche in vertikaler Richtung, ohne viel Druck auszuüben.

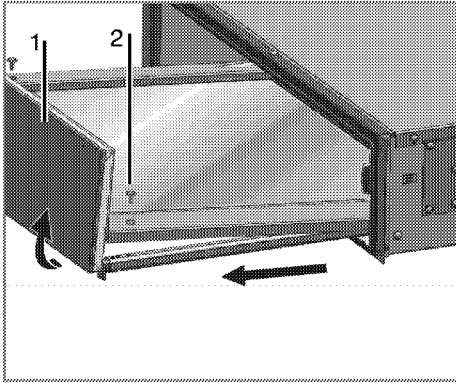
Heizplatte

Reinigen Sie die Heizplatte mit heißem Wasser und ein wenig Spülmittel.

Herausnehmen der Schublade

Sie können die Schublade herausnehmen um das Innere der Schublade zu reinigen.

1. Nehmen Sie die Schublade ganz heraus.
2. Entfernen Sie die 2 Schrauben am Vorderteil.
3. Halten Sie die Schublade am vorderen linken und rechten Ende und heben Sie sie um ca. 5° nach oben an.



1 Schublade

2 Schraube

4. Ziehen Sie die Schublade zu sich und stellen Sie sie beiseite. Reinigen Sie

das Innere der Schublade mit einem feuchten Tuch und Spülmittel und reiben Sie sie trocken.

i Schublade niemals in Wasser tauchen.

Schublade wieder einsetzen

Befolgen Sie zum Einsetzen der Schublade die obigen Schritte in umgekehrter Reihenfolge.

Setzen Sie die Schublade in die Halterung ein. Ziehen Sie die rechten und linken Seitenhalterungen nach vorne, bis die Schrauben in die Löcher einrasten. Schrauben festziehen.

6 Problemlösung

Bevor Sie den Kundendienst rufen, überprüfen Sie die folgenden Punkte.

Teller und/oder Speisen sind kalt.

- Das Gerät ist nicht eingeschaltet >>> *Überprüfen Sie, ob das Produkt eingeschaltet ist.*
- Die Schublade ist nicht vollständig geschlossen >>> *Vergewissern Sie sich, dass die Schublade richtig geschlossen ist.*
- Die Stromversorgung wurde unterbrochen. >>> *Überprüfen Sie die Stromversorgung. Kontrollieren Sie die Sicherungen im Sicherungskasten. Sicherungen bei Bedarf austauschen oder zurücksetzen.*

Teller und/oder Speisen sind nicht heiß genug.

- Teller und/oder Speisen wurden nicht ausreichend lang erhitzt.
- Die Schublade wurde für eine gewisse Zeit offen gelassen.

Die Kontrolllampe blinkt.

- Vergewissern Sie sich, dass die Schublade geschlossen ist. Falls das Schließen nicht möglich sein sollte, prüfen Sie den Sitz der Spannhaken wie im Kapitel „Wartung und Reinigung“ beschrieben.

Die Kontrolllampe blinkt schnell, wenn die Warmhalteschublade geschlossen ist.

- Wenden Sie sich an den autorisierten Kundendienst.

Die Kontrolllampe leuchtet nicht.

- Die Kontrolllampe ist defekt. >>> *Wenden Sie sich an den autorisierten Kundendienst.*

Die Sicherung im Sicherungskasten ist kurzgeschlossen.

- Trennen Sie das Netzkabel vom Strom und rufen Sie den autorisierten Kundendienst an.

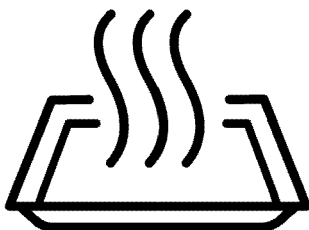


Falls sich ein Problem nicht mit den obigen Hinweisen lösen lassen sollte, wenden Sie sich bitte an den autorisierten Kundendienst oder an den Händler, bei dem Sie das Gerät gekauft haben. Versuchen Sie niemals, ein defektes Gerät selbst zu reparieren.



Tiroir chauffe-plat

Manuel d'utilisation



FR

Avant de commencer, merci de bien vouloir lire ce manuel d'utilisation !

Chère cliente, cher client,

Nous vous remercions d'avoir porté votre choix sur un produit Beko. Nous espérons que vous tirerez le meilleur parti de votre produit, qui a été fabriqué dans des usines de pointe avec des matériaux de qualité. C'est pourquoi nous vous prions de lire attentivement le présent manuel et tous les autres documents connexes dans leur intégralité avant d'utiliser le produit et de les conserver. Si vous cédez l'appareil à une tierce personne, n'oubliez pas de lui fournir le Manuel d'utilisation. Respectez tous les avertissements et informations contenus dans le manuel d'utilisation.

Souvenez-vous que ce Manuel d'utilisation s'applique également à plusieurs autres modèles. Les différences entre les modèles seront identifiées dans le manuel.

Explication des symboles

Vous trouverez les symboles suivants dans ce Manuel d'utilisation :



Informations importantes ou astuces utiles d'utilisation.



Avertissement de situations dangereuses relatives à la santé et aux biens.



Avertissement de risque de choc électrique.



Avertissement de risque d'incendie.



Avertissement de surfaces brûlantes.



Arçelik A.Ş.
Karaağaç caddesi No:2-6
34445 Sütlüce/Istanbul/TURKEY

1 Instructions importantes et mises en garde relatives à la sécurité et à l'environnement 4

Sécurité générale	4
Sécurité électrique.....	5
Sécurité du produit.....	6
Utilisation prévue.....	7
Sécurité des enfants.....	7
Mise au rebut de l'ancien appareil.....	7
Elimination des emballages	8
Déplacement ultérieur.....	8

2 Généralités 9

Vue d'ensemble	9
Caractéristiques techniques	10

3 Installation 11

Emplacement d'installation adéquat	11
Raccordement électrique.....	15

4 Utilisation du tiroir chauffe-plat 16

Maintien au chaud des plats.....	16
Maintien au chaud des repas.....	17
Tableau d'utilisation	18

5 Maintenance et entretien 19

Généralités.....	19
Retrait du tiroir.....	19

6 Recherche et résolution des pannes 21

1 Instructions importantes et mises en garde relatives à la sécurité et à l'environnement

Ce chapitre contient les instructions de sécurité qui vous aideront à éviter les risques de blessure corporelle ou de dégâts matériels. Le non respect de ces instructions entraînera l'annulation de toute garantie.

Sécurité générale

- Cet appareil peut être utilisé par des enfants de 8 ans et plus et des personnes aux capacités physiques, sensorielles ou mentales réduites ou des personnes dénuées d'expérience ou de connaissance si elles ont pu bénéficier d'une surveillance ou d'instructions concernant l'utilisation de l'appareil en toute sécurité et comprennent les risques encourus. Les enfants ne doivent pas jouer avec l'appareil. Le nettoyage et l'entretien ne doivent pas être effectués par un enfant sans surveillance.
- Cet appareil n'est pas conçu pour être utilisé par des personnes (y compris les enfants) présentant des aptitudes physiques, sensorielles et mentales réduites, ou sans

expérience et sans connaissances, à moins d'avoir été encadrées ou reçu des consignes d'utilisation.

Les enfants bénéficiant d'un encadrement ne doivent pas jouer avec l'appareil.

- Si l'appareil est confié à une autre personne pour usage personnel ou vendu en seconde main, assurez-vous qu'il est toujours accompagné du manuel d'utilisation, des étiquettes, de tout autre document pertinent et des pièces.
- Ne jamais poser l'appareil sur un sol recouvert de moquette. Dans le cas contraire, l'absence de circulation d'air en dessous de l'appareil entraînera la surchauffe des pièces électriques. Cette surchauffe causera des dommages à votre appareil.
- Les procédures d'installation et de réparation doivent être effectuées par des agents d'entretien qualifiés. Le fabricant ne sera pas responsable des dommages causés à la suite d'une utilisation faite par

des personnes non qualifiées, situation susceptible d'annuler aussi la garantie. Avant l'installation, lisez attentivement les instructions.

- Ne faites pas fonctionner l'appareil s'il est défectueux ou présente des dégâts visibles.
- Assurez-vous que les boutons de fonctionnement de l'appareil sont en position d'arrêt après chaque utilisation.

Sécurité électrique

- Si le produit est en panne, ne l'utilisez pas, à moins qu'il ne soit réparé par un Agent d'entretien agréé. Vous risqueriez un choc électrique !
- Branchez l'appareil uniquement à une sortie/ligne avec mise à la terre ainsi que la tension et la protection spécifiées dans le chapitre « Spécifications techniques ». Faites installer la mise à la terre par un électricien qualifié lorsque vous utilisez l'appareil avec ou sans transformateur. Notre entreprise décline sa responsabilité par rapport à tout problème consécutif à la non mise à la terre

de l'appareil suivant la réglementation locale en vigueur.

- Ne lavez jamais l'appareil en y versant de l'eau. Vous risqueriez un choc électrique !
- Ne touchez jamais la prise si vous avez des mains mouillées ! De même, ne débranchez jamais l'appareil en le tirant par le câble. Pour ce faire, il est conseillé de toujours tenir la prise avant de la tirer.
- Débranchez l'appareil pendant les opérations d'installation, d'entretien, de nettoyage et de réparation.
- Si le cordon d'alimentation est endommagé, il doit être remplacé par le fabricant, l'un de ses techniciens ou une personne de qualification similaire afin d'éviter tout risque.
- N'utilisez que le câble d'alimentation spécifié dans le chapitre « Spécifications techniques ».
- Installez l'appareil de sorte que l'on puisse le déconnecter complètement du réseau. La séparation doit être effectuée par une prise secteur ou un commutateur intégré à l'installation électrique fixe,

suivant la réglementation en matière de construction.

- Toutes les opérations sur des équipements et des systèmes électriques ne peuvent être réalisées que par des personnes habilitées et qualifiées.
- En cas de dégâts, éteignez l'appareil et débranchez-le du secteur. Pour ce faire, coupez le fusible domestique.
- Vérifiez que la tension du fusible est compatible avec l'appareil.

Sécurité du produit

- Pendant que l'appareil fonctionne, ses parties exposées s'échaufferont. Évitez de les toucher ainsi que les éléments du réchauffeur. Les enfants de moins de 8 ans ne doivent pas s'approcher de l'appareil, à moins d'être sous la surveillance d'un adulte.
- Évitez de conserver des matériaux inflammables et des boîtes en plastique dans le tiroir chauffe-plat.
- Les cassures, les fissures et les déchirures sur la plaque chauffante peuvent entraîner des risques d'électrocution.

Débranchez le câble d'alimentation ou enlevez le fusible. Appelez un technicien agréé.

- Assurez-vous qu'aucune substance inflammable ne soit placée à proximité de l'appareil étant donné que les côtés chauffent pendant son utilisation.
- L'appareil peut être très chaud pendant son utilisation. Ne touchez jamais les pièces, les sections internes, les radiateurs de chauffage, etc. lorsqu'ils sont chauds.
- Évitez de mettre la plaque chauffante en contact avec le tiroir chauffe-plat, au risque de l'endommager.
- Ne pas faire chauffer de boîtes de conserves et de bocaux en verre clos dans le four. La pression qui s'accumulerait dans le bocal pourrait le faire éclater.
- En raison du risque de choc électrique, évitez de nettoyer l'appareil à l'aide de dispositifs nettoyants à vapeur.
- Utilisez toujours un gant de cuisine lorsque vous chargez les plats dans le tiroir.

Pour protéger l'appareil des risques d'incendie :

- Veillez à ce qu'il soit bien branché à la prise murale pour éviter tout arc ;
- n'utilisez pas de câble brisé ou endommagé autre que l'original ;
- Veillez à ce qu'aucun liquide ou source d'humidité ne se trouve à proximité de la prise murale à laquelle l'appareil est branché.

Utilisation prévue

- Cet appareil est conçu pour un usage domestique. L'utilisation commerciale est interdite.
- Le fabricant ne saurait être tenu responsable des dégâts causés par une utilisation ou une manipulation incorrecte.
- **Les pièces détachées d'origine sont disponibles pendant 10 ans, à compter de la date d'achat du produit.**

Sécurité des enfants

- Les parties accessibles peuvent s'échauffer pendant l'utilisation. Les enfants doivent être tenus à l'écart.
- Les matériaux d'emballage peuvent présenter un danger pour les enfants. Gardez les matériaux d'emballage hors

de portée des enfants. Veuillez jeter les pièces de l'emballage en respectant les normes écologiques.

- Les appareils électriques sont dangereux pour les enfants. Tenez les enfants à l'écart de l'appareil lorsqu'il fonctionne et interdisez-leur de jouer avec.

Mise au rebut de l'ancien appareil

Conformité avec la directive DEEE et mise au rebut des déchets :



Ce produit est conforme à la directive DEEE (2012/19/UE) de l'Union européenne. Ce produit porte un symbole de classification pour la mise au rebut des équipements électriques et électroniques (DEEE).

Le présent produit a été fabriqué avec des pièces et du matériel de qualité supérieure susceptibles d'être réutilisés et adaptés au recyclage. Par conséquent, nous vous conseillons de ne pas le mettre au rebut avec les ordures ménagères et d'autres déchets à la fin de sa durée de vie. Au contraire, rendez-vous dans un point de collecte pour le recyclage de tout matériel électrique et électronique. Veuillez vous rapprocher des autorités de votre localité pour plus d'informations concernant le point de collecte le plus proche.

Conformité avec la directive LdSD :

L'appareil que vous avez acheté est conforme à la directive LdSD (2011/65/UE) de l'Union européenne. Il ne comporte pas les matériels dange-

reux et interdits mentionnés dans la directive.

Élimination des emballages

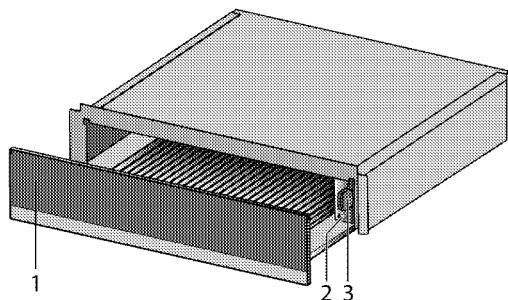
- Les emballages sont dangereux pour les enfants. Conservez les emballages en lieu sûr à l'écart des enfants. Les emballages de l'appareil sont fabriqués à partir de matériaux recyclés. Éliminez-les de manière appropriée et triez-les en fonction des instructions de recyclage des déchets. Ne les jetez pas avec les déchets domestiques normaux.

Déplacement ultérieur

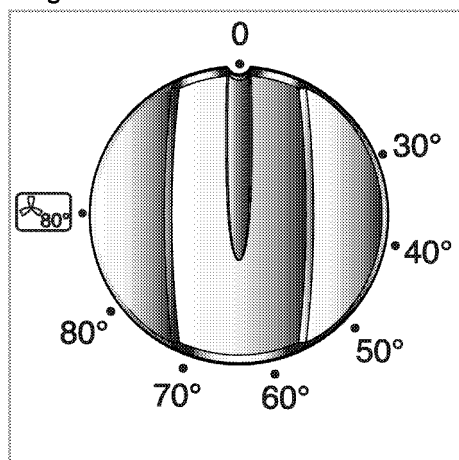
- Conservez le carton d'origine de l'appareil et utilisez-le pour déplacer le produit. Suivez les instructions figurant sur le carton. Si vous n'avez plus le carton original, emballez l'appareil dans du film à bulles ou du carton épais avec du ruban adhésif pour maintenir le tout.
- i** Inspectez l'aspect général de l'appareil pour déceler les dégâts potentiellement dus au transport.

2 Généralités

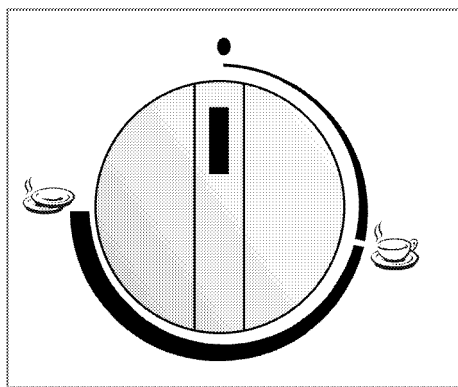
Vue d'ensemble





- 1 Tiroir chauffe-plat
- 2 Bouton Marche/Arrêt (uniquement pour les modèles mécaniques)
- 3 Bouton de sélection du programme



Bouton de sélection du programme-
Modèles électroniques



Bouton de sélection du programme-
Modèles mécaniques

- 0 Désactivé
-  Chauffage de tasse
-  Chauffage de la plaque

Caractéristiques techniques

	Modeles électroniques	Modeles mécaniques
Tension/fréquence	220-240 V ~ 50 Hz	220-240 V ~ 50 Hz
Énergie électrique totale	800 W	400 W
Fusible	16 A	6 A
Type de câble / section	H05VV-FG 3 x 1,5 mm ²	H05VV-FG 3 x 0,75 mm ²
Longueur de câble	max. 2 m	max. 2 m
Dimensions extérieures (hauteur/longueur/profondeur) :	141 mm/ 594 mm/ 523 mm	141 mm/ 594 mm/ 523 mm
Dimensions d'installation (hauteur/longueur/profondeur) :	145 mm/ 560 mm/ min.550 mm	145 mm/ 560 mm/ min.550 mm

3 Installation

Le produit doit être installé par une personne qualifiée conformément à la réglementation en vigueur. Dans le cas contraire, la garantie n'est pas valable. Le fabricant se sera pas tenu pour responsable des dégâts consécutifs à des procédures réalisées par des personnes non autorisées et, en pareille circonstance, pourra annuler la garantie.

i La préparation de l'emplacement où le four sera installé et du câblage électrique nécessaire relève de la responsabilité du client

! Installez l'appareil conformément à toutes les réglementations en matière d'électricité en vigueur.

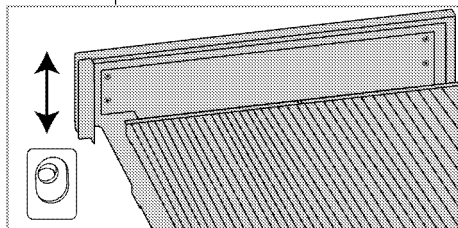
! Avant l'installation, regardez si l'appareil présente des défauts. Si tel est le cas, ne le faites pas installer. Les appareils endommagés présentent des risques pour votre sécurité.

Emplacement d'installation adéquat

Ce produit est conçu pour être intégré dans du mobilier de cuisine disponible dans le commerce. Une distance de sécurité doit être laissée entre l'appareil et les parois de la cuisine et des meubles. Voir le schéma (valeurs en mm).

Alignement frontal du tiroir

Pour régler l'alignement VERTICAL de la façade du tiroir, desserrez 4 vis à l'arrière de la façade et serrez en position de conception.

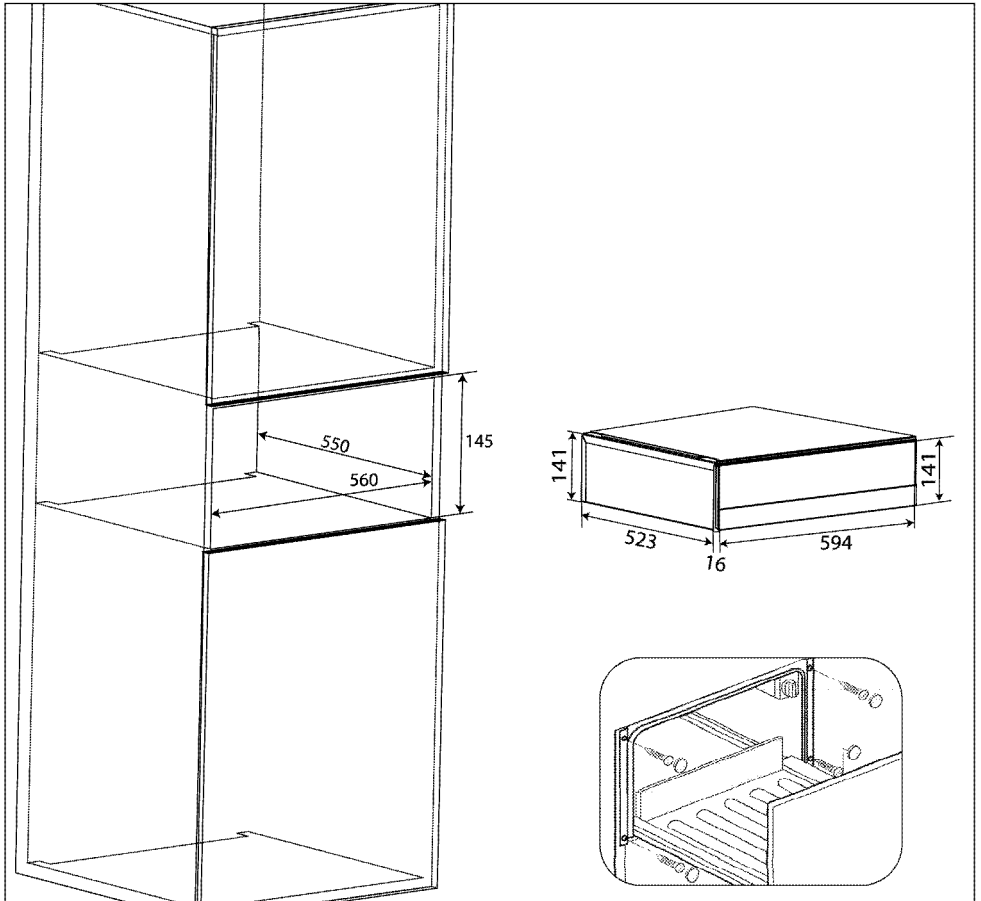


- Les surfaces, les feuilles laminées synthétiques et les adhésifs doivent résister à la chaleur (100°C min.).
- Retirez les matériaux d'emballage et les sécurités de transport.

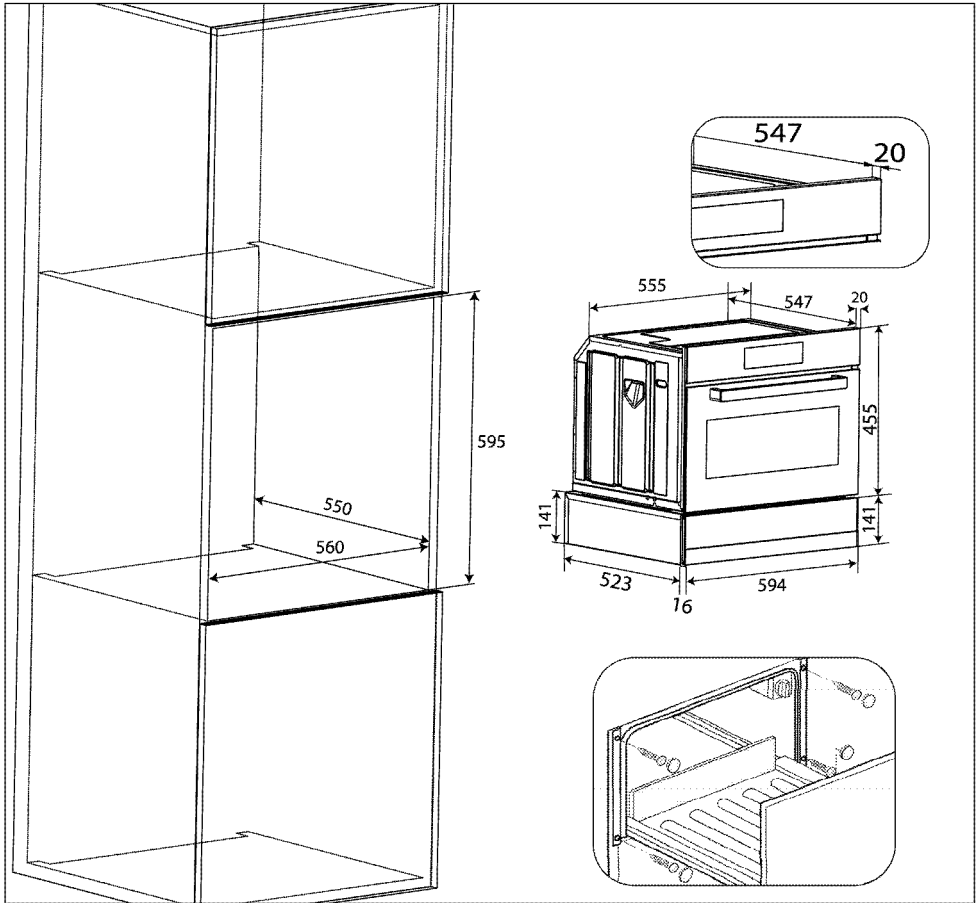
i N'installez pas l'appareil à proximité de réfrigérateurs ou congélateurs. La chaleur émise par l'appareil augmenterait la consommation d'énergie des dispositifs de refroidissement.

i Le poids du produit sur le tiroir chauffant doit être au maximum de 50 kg. Les produits pesant plus de 50 kg peuvent endommager le tiroir.

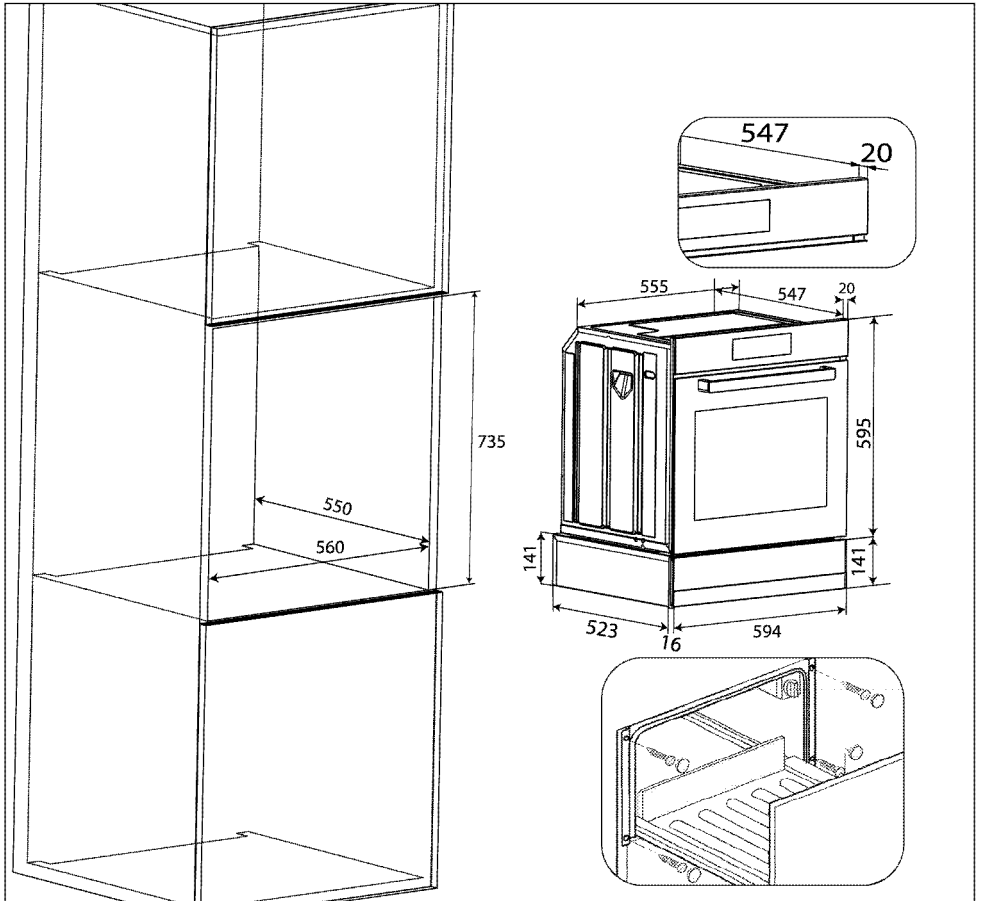
i N'utilisez pas la porte et/ou la poignée pour porter ou déplacer l'appareil.



Tiroir-réchaud dans un meuble tour sans four



Tiroir réchaud sous un four compact de 45 cm dans une colonne



Tiroir chauffant sous un four de 60 cm dans un meuble tour

Raccordement électrique

Installez l'appareil conformément à toutes les réglementations en matière de gaz et d'électricité en vigueur.

Branchez l'appareil à une ligne de terre protégée par un fusible répondant aux critères présentés dans le tableau « Caractéristiques techniques ». Pensez à faire installer la mise à la terre par un électricien qualifié lorsque vous utilisez l'appareil avec ou sans transformateur. Notre société ne sera pas tenue pour responsable des dégâts survenus suite à l'utilisation de l'appareil sans une installation de mise à la terre conforme aux réglementations locales en vigueur.

Le produit doit être utilisé avec un réseau raccordé à la terre!

Le producteur ne sera responsable d'aucuns dommages causés par une utilisation du produit sans raccord à la terre.



L'appareil doit uniquement être raccordé à l'alimentation électrique par une personne autorisée et qualifiée. La période de garantie de l'appareil démarre uniquement après son installation correcte.

Le fabricant se sera pas tenu pour responsable des dégâts consécutifs à des procédures réalisées par des personnes non autorisées.



Le câble d'alimentation ne doit pas être serré, plié ou pincé ou entrer en contact avec des pièces chaudes de l'appareil.

Un câble d'alimentation endommagé doit être remplacé par un électricien qualifié. Dans le cas contraire, il présente un risque d'électrocution, de court-circuit ou d'incendie !

- La connexion doit être conforme aux réglementations nationales en vigueur.
- Les valeurs de l'alimentation électrique doivent correspondre aux valeurs figurant sur la plaque signalétique de l'appareil. La plaque signalétique est située à la paroi arrière du produit.
- Le câble d'alimentation de l'appareil doit être conforme aux valeurs du tableau "Caractéristiques techniques".



Avant d'effectuer tout travail sur l'installation électrique, l'appareil doit être débranché du réseau d'alimentation électrique. Vous risqueriez un choc électrique !

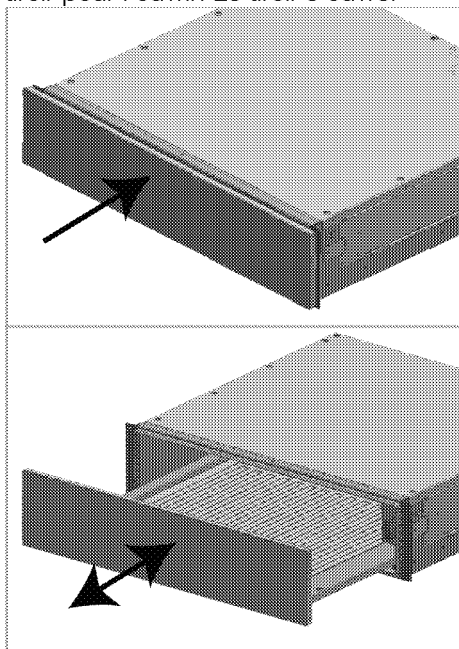
Vérification finale

1. Branchez le câble d'alimentation et enclenchez le fusible de votre domicile.
2. Vérifiez si le produit fonctionne ou non.

4 Utilisation du tiroir chauffe-plat

Ouverture du tiroir.

Tournez dans le sens de la flèche vers le tiroir pour l'ouvrir. Le tiroir s'ouvre.



Poussez le tiroir par son couvercle pour le fermer.

Maintien au chaud des plats

i Le produit chauffe uniquement lorsque le tiroir est complètement fermé.

Grâce au tiroir, vous pouvez réchauffer les plats ou maintenir les repas au chaud.

Réchauffement des plats

Si les plats sont chauffés, les repas se refroidiront pendant une plus longue durée.

Types de plats




Le tiroir chauffe-plat peut supporter un poids maximal de 25 kg. Par exemple, vous pouvez préchauffer un plat de menu de 6 ou 12 personnes.

Plat de menu x 6	Ø 24 cm
Bol à soupe x 6	Ø 10 cm
Assiette de service x 1	Ø 19 cm
Assiette de service x 1	Ø 17 cm
Assiette à viande x 1	32 cm.




Disposition des plats

Mettez les plats sur toute la zone autant que possible. Les plats empilés sont chauffés moins rapidement que les plats individuels.

Récipients à boissons

Les récipients de chaleur tels que les tasses d'expresso chauffent à  ou un niveau de 60 à 70 °C.  ou  Une température de 80 °C chauffe excessivement les verres. Risque d'incendie.

Utilisation

1. Introduisez les plats dans le tiroir.
2. Appuyez sur l'interrupteur Marche/Arrêt pour les modèles mécaniques.
3. Réglez le sélecteur de fonctions à  ou  un niveau de 80 °C. Pour les récipients à boissons, sélectionnez toujours  ou un niveau de 60 à 70 °C.
4. Fermez le tiroir chauffant. Le voyant d'avertissement s'allume, le produit chauffe.

Durée de préchauffage

La durée de préchauffage varie en fonction de la matière, de l'épaisseur, du nombre et de la hauteur des plats. Mettez les plats sur toute la zone autant que possible.


Un service de table de 6 personnes dure environ 15 à 20 minutes.

Arrêt du produit

Ouvrez le tiroir. Réglez le sélecteur de fonctions à la position ARRÊT. Pour les modèles mécaniques, vous pouvez également appuyez sur le bouton Marche/Arrêt pour les arrêter.

Retrait des plats

Retirez les plats en utilisant des gants ou un chiffon.

 La surface de la plaque chauffante est très chaude. Les plats de la partie inférieure sont plus chauds que ceux de la partie supérieure.

Maintien au chaud des repas

Ne placez jamais les casseroles et les poêles sur la base de verre du tiroir chauffant. Vous risquerez d'endommager la base de verre.

Ne remplissez pas à ras bord vos plats pour éviter qu'ils ne débordent.

Couvrez les repas à l'aide d'un couvercle résistant à la chaleur ou d'une feuille d'aluminium.

Nous vous recommandons de conserver les repas au chaud pendant 1 heure au maximum.

Repas appropriés

Convient à la viande, à la volaille, aux sauces de poisson, aux légumes, aux garnitures et aux soupes.

Utilisation

1. Introduisez les plats dans le tiroir.
2. Réglez le sélecteur de fonctions à 80 °C et préchauffez le produit pendant 10 minutes.
3. Fermez le tiroir chauffant. Le voyant d'avertissement s'allume, le produit chauffe.

Arrêt du produit


Ouvrez le tiroir. Réglez le sélecteur de fonctions à la position ARRÊT. Pour les modèles mécaniques, vous pouvez également appuyez sur le bouton Marche/Arrêt pour les arrêter.

Retrait des plats

Retirez les plats en utilisant des gants ou un chiffon.

Tableau d'utilisation

Divers types d'utilisation sont indiqués dans le tableau pour le tiroir chauffe-plat. Vous devez faire un préchauffage en fonction des cas indiqués dans le tableau.

Étape	Repas/Plat	Description
40 - 50 °C	Aliments surgelés délicats comme le gâteau à la crème, le beurre, la sauce, le fromage.	Décongélation
40 - 50 °C	Fermentation de la pâte levée	Couvrez-la
60 - 70 °C	Aliments surgelés comme la viande, le gâteau, le pain	Décongélation
60 - 70 °C	Maintien au chaud des œufs comme les œufs bouillis, l'œuf brouillé	Préchauffez le récipient, couvrez le repas
60 - 70 °C	Maintien au chaud du pain comme le pain toast, le pain à sandwich	Préchauffez le récipient, couvrez le repas
60 - 70 °C	Chauffage des récipients à boissons	ex: tasses d'expresso
60 - 70 °C	Les repas délicats comme la viande saignante	Couvrez le plat
80 °C	Maintien au chaud des repas	Préchauffez le récipient, couvrez le repas
80 °C	Maintien au chaud des boissons	Préchauffez le récipient, couvrez le repas
80 °C	Chauffage de la pita comme le wrap, l'omelette, le Tacos	Préchauffez le récipient, couvrez le repas
80 °C	Maintien au chaud des cookies comme les muffins, les cookies	Préchauffez le récipient, couvrez le repas
80 °C	Faire fondre un bloc de chocolat et la garniture au chocolat	Préchauffez le récipient, couvrez le repas
80 °C	Préchauffez le récipient, couvrez le repas	Sans couvercle, environ 20 minutes
 80 °C	Réchauffement des plats	Non approprié pour les récipients à boissons.

5 Maintenance et entretien

Généralités

Un nettoyage régulier de l'appareil en rallongera la durée de vie et diminuera l'apparition de problèmes.

i Débranchez l'appareil de la prise secteur avant de commencer le nettoyage et l'entretien. Vous risqueriez un choc électrique !

i Laissez l'appareil refroidir avant de le nettoyer. Les surfaces chaudes peuvent brûler !

- Nettoyez soigneusement l'appareil après chaque utilisation. Il vous sera ainsi possible d'ôter plus facilement les résidus d'aliments éventuels, évitant ainsi qu'ils ne brûlent lors de l'utilisation suivante.
- Aucun produit nettoyant particulier n'est nécessaire pour nettoyer l'appareil. Utilisez de l'eau tiède avec du liquide vaisselle, un chiffon doux ou une éponge pour nettoyer l'appareil et essuyez-le à l'aide d'un chiffon sec.
- Évacuez tout liquide résiduel après le nettoyage et veillez à nettoyer immédiatement toute éclaboussure d'aliments survenue pendant la cuisson.
- N'utilisez pas de détergents contenant de l'acide ou du chlore pour nettoyer les surfaces en acier inoxydable et la poignée. Utilisez un chiffon doux avec un détergent liquide non abrasif pour nettoyer ces parties, en prenant soin de toujours frotter dans le même sens.

i La surface pourrait être endommagée par certains détergents ou produits de nettoyage. N'utilisez pas de détergents agressifs, de poudre/crèmes de nettoyage ou d'objets tranchants pour le nettoyage.

i N'utilisez pas de nettoyeurs à vapeur pour le nettoyage.

Surfaces en acier

Les taches de chaux, de graisse, d'amidon et de protéine doivent être enlevées immédiatement. Ces taches peuvent entraîner une corrosion au-dessous de ces surfaces.

Produits avec des surfaces en inox

Utilisez un produit de nettoyage de verre doux et un chiffon de nettoyage de verre doux ou un tissu en microfibre sans peluches. Nettoyez la surface sans appliquer trop de pression et dans le sens vertical.

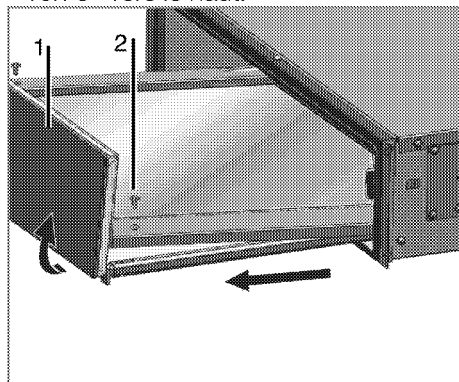
Plaque de chauffage

Nettoyez la plaque chauffante avec de l'eau chaude additionnée d'une petite quantité de détergent.

Retrait du tiroir

Il est possible de retirer le tiroir pour nettoyer son intérieur.

1. Retirez complètement le tiroir.
2. Retirez les 2 vis de la partie avant.
3. Tenez le tiroir par les angles avant droit et gauche et soulevez-le à environ 5° vers le haut.



1 Tiroir

2 Vis

4. Tirez délicatement le tiroir vers vous et mettez-le de côté. Nettoyez l'intérieur du produit à l'aide d'un chiffon humide et d'un détergent, puis et séchez-le.

 Ne plongez jamais le tiroir dans l'eau.

Installation du tiroir

Pour remettre le tiroir, suivez les étapes ci-dessus dans l'ordre inverse.

Placez le tiroir sur les plaques. Tirez les côtés gauche et droit des plaques vers l'avant, jusqu'à ce que les vis se fixent bien dans les trous. Serrez les vis.

6 Recherche et résolution des pannes

Avant de contacter le service technique, nous vous invitons à vérifier les points suivants.

Les plats et/ou les repas sont froids.

- Le produit n'est pas allumé >>> *Vérifiez si le produit est allumé.*
- Le tiroir n'est pas complètement fermé >>> *Vérifiez si le tiroir est complètement fermé.*
- L'alimentation est coupée. >>> *Vérifiez s'il y a du courant. Vérifiez les fusibles dans la boîte à fusibles. Remplacez ou réarmez-les le cas échéant.*

Les plats et/ou les repas ne sont pas suffisamment chauds.

- Les plats et/ou les repas n'ont pas été chauffés pendant une durée suffisante.
- Le tiroir est resté ouvert pendant une longue durée.

Le témoin d'avertissement clignote.

- Vérifiez si le tiroir est fermé. Si celui-ci ne peut être fermé, vérifiez la position des crochets comme décrits à la section « Entretien et nettoyage ».

Le témoin d'avertissement clignote rapidement lorsque le tiroir chauffe-plat est fermé.

- Appelez un technicien agréé.

Le témoin d'avertissement ne s'allume pas.

- Le témoin d'avertissement est défectueux. >>> *Appelez un technicien agréé.*

Le fusible dans le boîtier de fusibles est court-circuité.

- Débranchez le câble d'alimentation et appelez un technicien agréé.



Consultez le technicien autorisé ou le revendeur qui vous a vendu l'appareil si vous ne parvenez pas à résoudre le problème après avoir suivi les instructions comprises dans ce chapitre. N'essayez jamais de réparer un appareil défectueux vous-même.



LE TRI
+ FACILE



FR

**Cet appareil
et ses accessoires
se recyclent**



REPRISE
À LA LIVRAISON

OU



À DÉPOSER
EN MAGASIN

OU



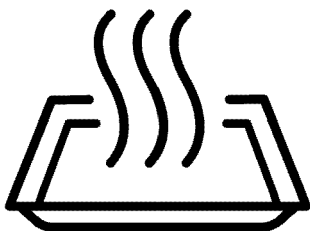
À DÉPOSER
EN DÉCHÈTERIE

Points de collecte sur www.quefairedemesdechets.fr
Privilégiez la réparation ou le don de votre appareil !



Warmhoudlade

Gebruikershandleiding



NL

Gelieve eerst deze gebruikershandleiding te lezen!

Beste klant,

Dank u voor het aankopen van een Beko-product. We hopen dat u de beste resultaten verkrijgt uit uw product, dat vervaardigd is met de allernieuwste technologie van hoge kwaliteit. Lees daarom deze volledige gebruikershandleiding en alle andere bijgevoegde documenten zorgvuldig door voordat u het product in gebruik neemt en houd deze ter referentie voor toekomstig gebruik. Als u het product aan iemand anders overdraagt, voeg daar dan de gebruikershandleiding ook bij. Volg alle waarschuwingen en informatie in deze gebruikershandleiding op.

Vergeet niet dat deze gebruikershandleiding ook van toepassing kan zijn op verschillende andere modellen. De verschillen tussen de modellen zijn duidelijk aangegeven in de handleiding.

Verklaring van symbolen

In deze gebruikershandleiding worden de volgende symbolen gebruikt:



Belangrijke informatie of nuttige aanwijzingen over het gebruik.



Waarschuwing voor levensgevaarlijke situaties en schade aan eigendommen.



Waarschuwing voor een elektrische schok.



Waarschuwing voor brandgevaar.



Waarschuwing voor hete oppervlakken.



Arçelik A.Ş.
Karaağaç caddesi No:2-6
34445 Sütlüce/Istanbul/TURKEY
Made in TURKEY

1 Belangrijke instructies en waarschuwingen voor veiligheid en milieu **4**

Algemene veiligheid	4
Elektrische veiligheid	5
Productveiligheid	6
Bedoeld gebruik	7
Kindveiligheid	7
Het oude product afvoeren	7
Verpakkingsmateriaal afvoeren	7
Toekomstig transport	8

2 Algemene informatie **9**

Overzicht	9
Technische specificaties	10

3 Installatie **11**

Geschikte installatieplek	11
Elektrische aansluiting	15

4 Gebruiken van de warmhoudlade **16**

Warm houden van de borden	16
Warm houden van maaltijden	17
Gebruikstabel	18

5 Onderhoud en verzorging **19**

Algemene informatie	19
Verwijderen van de lade	19

6 Problemen oplossen **21**

1 Belangrijke instructies en waarschuwingen voor veiligheid en milieu

Dit gedeelte bevat veiligheidsvoorschriften die helpen persoonlijk letsel of schade aan eigendommen te voorkomen. Het niet opvolgen van deze instructies laat alle garantie vervallen.

Algemene veiligheid

- Dit apparaat kan worden gebruikt door kinderen vanaf 8 jaar en personen met verzwakte fysieke, zintuiglijke of mentale toestand, of met een gebrek aan ervaring en kennis, als deze onder toezicht staan of instructies zijn gegeven betreffende het veilige gebruik van het apparaat en op de hoogte zijn van de betrokken gevaren. Laat kinderen niet met het apparaat spelen. Reiniging en gebruikeronderhoud dienen niet zonder toezicht door kinderen uitgevoerd te worden.
- Dit apparaat mag niet worden gebruikt door personen (kinderen inbegrepen) in verzwakte fysieke, zintuiglijke of mentale toestand, of met een gebrek aan ervaring en kennis, tenzij ze onder toezicht staan of instructies hebben gekregen. Zie erop toe dat kinderen niet met het apparaat spelen.
- Indien het product voor persoonlijk of tweedehands gebruik aan iemand anders wordt overgedragen, dienen de gebruikershandleiding, productetiketten en andere relevante documenten en onderdelen ook te worden overhandigd.
- Plaats het product nooit op een vloer met vloerbedekking. Anders kan gebrek aan luchtstroom onder het product oververhitting van elektrische onderdelen veroorzaken. Dit geeft problemen met uw product.
- Installatie- en reparatiewerk moet altijd uitgevoerd worden door bevoegde serviceagenten. De fabrikant is niet aansprakelijk voor schade die voortvloeit uit werkzaamheden door onbevoegde personen. Dit kan de garantie ongeldig

maken. Lees alvorens de installatie de instructie zorgvuldig door.

- Gebruik het apparaat niet als het defect is of zichtbare schade vertoont.
- Controleer of de functieknoppen van het product na ieder gebruik zijn uitgeschakeld.

Elektrische veiligheid

- Indien het product een defect heeft, moet het niet in gebruik worden genomen zonder dat het gerepareerd is door een bevoegde onderhoudsdienst. Er is kans op elektrische schokken!
- Sluit het product uitsluitend aan op een geaarde uitgang/lijn met een voltage en beveiliging zoals gespecificeerd in de “Technische specificaties”. Laat de aardingsinstallatie aanleggen door een bevoegd elektricien terwijl u het product met of zonder transformator gebruikt. Ons bedrijf is niet aansprakelijk voor problemen die zijn ontstaan doordat het product niet geaard is in

overeenstemming met de plaatselijke voorschriften.

- Reinig het product nooit door er water overheen te gooien! Er is kans op elektrische schokken!
- Raak de stekker nooit met natte handen aan! Trek de stekker nooit uit aan de kabel, trek altijd aan de stekker.
- Het product moet tijdens installatie, onderhoud, reiniging en reparatiehandelingen losgekoppeld zijn.
- Als het stroomkabel van het product beschadigd is, moet deze om gevaar te voorkomen worden vervangen door de fabrikant, door zijn onderhoudsdienst of door soortgelijke bevoegde personen.
- Gebruik uitsluitend de stroomkabel zoals gespecificeerd in de “Technische specificaties”.
- Het apparaat dient dusdanig geïnstalleerd te zijn dat het volledig van het netwerk afgesloten kan worden. De loskoppeling dient te geschieden door het uittrekken van de stekker of het uitschakelen van een

schakelaar die in de vaste elektrische installatie is ingebouwd, volgens de constructievoorschriften.

- Werk aan elektrische apparatuur of systemen mag uitsluitend worden uitgevoerd door bevoegde en gekwalificeerde personen.
- Zet in geval van schade het product uit en sluit het af van het elektriciteitsnet. Verwijder daartoe de zekering in huis.
- Zorg ervoor dat de stroomwaarde van de zekering compatibel is met het product.

Productveiligheid

- Tijdens de werking van het product worden de blootliggende delen heet. Raak het product en zijn verwarmingselementen niet aan. Kinderen van onder de 8 mogen niet in de buurt van het product komen zonder toezicht van een volwassene.
- Bewaar geen ontvlambare materialen en kunststoffen bakken in de warmhoudlade.
- Barsten, breuken en scheuren in de verwarmingsplaat vormen een risico op elektrocutie.

Trek de stekker uit het stopcontact of schakel de zekering uit. Bel een erkende serviceagent.

- Plaats geen ontvlambare materialen dichtbij het apparaat aangezien de zijanten heet worden tijdens gebruik.
- Het product kan heet zijn wanneer het in gebruik is. Raak de hete onderdelen, binnendelen, verwarmelementen enz. nooit aan.
- Laat de verwarmingsplaat niet in contact komen met de warmhoudlade. Deze kan worden beschadigd.
- Verwarm geen gesloten conservenblikken en glazen potten in de oven. De druk die zich in de pot ontwikkelt kan ervoor zorgen dat deze barst.
- Reinig het product niet met stoomreinigers. Dit veroorzaakt risico op een elektrische schok.
- Gebruik bij het plaatsen van de borden in de lade altijd ovenhandschoenen.

Voor de brandveiligheid van het product;

- Zorg dat het apparaat goed op het stopcontact is aangesloten om te voorkomen dat er een lichtboog ontstaat.
- Gebruik geen kapotte of beschadigde kabel, alleen de originele kabel.
- Zorg dat er zich in het stopcontact waar het product op is aangesloten geen vloeistof of vochtigheid bevindt.

Bedoeld gebruik

- Dit product is bedoeld voor huishoudelijk gebruik. Commercieel gebruik is niet toegelaten.
- De fabrikant is niet aansprakelijk voor schade veroorzaakt door foutief gebruik of bediening.

Kindveiligheid

- Toegankelijke onderdelen kunnen tijdens gebruik heet worden. Houd jonge kinderen uit de buurt.
- De verpakkingsmaterialen kunnen gevaarlijk zijn voor kinderen. Houd de verpakkingsmaterialen buiten het bereik van kinderen. Doe

alle delen van de verpakking weg volgens de milieunormen.

- Elektrische toestellen zijn gevaarlijk voor kinderen. Houd kinderen bij het product vandaan als het in gebruik is en sta niet toe dat ze ermee spelen.

Het oude product afvoeren **Voldoet aan de WEEE-richtlijn en de richtlijnen voor afvoeren van het restproduct:**



Dit product voldoet aan de EU-richtlijn WEEE (2012/19/EU). Dit product is voorzien van een classificatiesymbool voor afvalsortering van elektrische en elektronische apparatuur (WEEE). Dit product werd vervaardigd uit onderdelen en materialen van hoge kwaliteit die hergebruikt kunnen worden en geschikt zijn voor recycling. Gooi het restproduct aan het einde van zijn levensduur niet weg bij normaal huishoudelijk of ander afval. Breng het naar het verzamelpunt voor recycling van elektrische en elektronische apparatuur. Raadpleeg uw plaatselijke autoriteiten om te weten waar u deze verzamelpunten aantreft.

Voldoet aan RoHS-richtlijn:

Het door u aangekochte product voldoet aan de EU-richtlijn RoHS (2011/65/EU). Het bevat geen schadelijke en verboden materialen die in deze richtlijn zijn opgenomen.

Verpakkingsmateriaal afvoeren

- Verpakkingsmateriaal is gevaarlijk voor kinderen. Houd verpakkingsmateriaal

op een veilige plek buiten het bereik van kinderen. Verpakkingsmateriaal van het product wordt vervaardigd van recyclebaar materiaal. Voer het netjes af en sorteer het overeenkomstig de regels voor recyclebaar afval. Werp het niet weg bij het normale huisafval.

Toekomstig transport

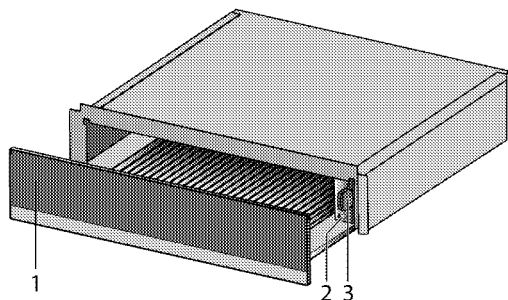
- Bewaar de originele doos van het product en vervoer het product daarin.

Volg de aanwijzingen op de doos. Als u de originele doos niet hebt, verpak het product dan in luchtkussenfolie of dik karton en tape het goed vast.

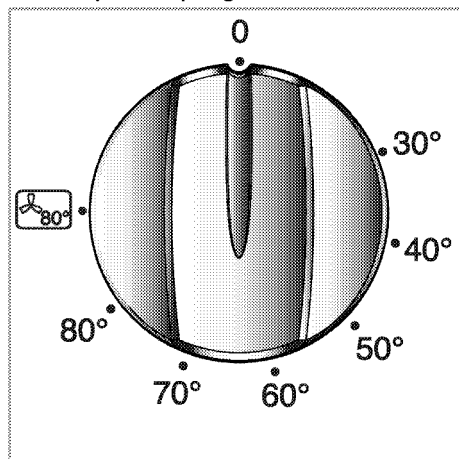
-  Controleer globaal het uiterlijk van uw product op eventuele schade die tijdens het transport werd veroorzaakt.

2 Algemene informatie

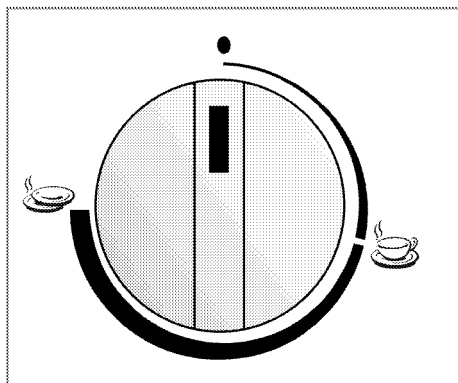
Overzicht





- 1 Warmhoudlade
- 2 Aan/uit-knop (alleen voor mechanische modellen)
- 3 Knop voor programmakeuze



Knop voor programmakeuze-
Elektronische modellen



Knop voor programmakeuze-
Mechanische modellen

- 0 Uit
-  Verwarming van kopjes
-  Verwarming van borden

Technische specificaties

	Elektronische modellen	Mechanische modellen
Voltage / frequentie	220-240 V ~ 50 Hz	220-240 V ~ 50 Hz
Totaal elektrisch vermogen	800 W	400 W
Zekering	16 A	6 A
Kabeltype / kabelfunctionaliteit	H05VV-FG 3 x 1,5 mm ²	H05VV-FG 3 x 0,75 mm ²
Kabellengte	max. 2 m	max. 2 m
Buitenafmetingen (hoogte / breedte / diepte):	141 mm/ 594 mm/ 523 mm	141 mm/ 594 mm/ 523 mm
Installatieafmetingen (hoogte / breedte / diepte):	145 mm/ 560 mm/ min.550 mm	145 mm/ 560 mm/ min.550 mm

3 Installatie

Product dient geïnstalleerd te worden door een bekwaam persoon in overeenstemming met de van kracht zijnde voorschriften. Anders kan de garantie komen te vervallen. De fabrikant is niet aansprakelijk voor schade die voortvloeit uit werkzaamheden door onbevoegde personen. De productgarantie zal komen te vervallen.

i De klant is verantwoordelijk voor de voorbereiding van de plek waar de oven wordt geïnstalleerd en de benodigde elektrische bedrading.

! Het product moet overeenkomstig de lokale elektriciteitsvoorschriften aangesloten worden.

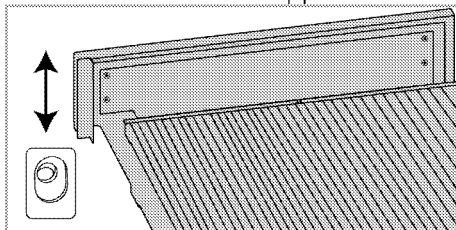
! Controleer vóór installatie van het product of het zichtbare gebreken heeft.
Zo ja, laat het dan niet installeren. Beschadigde producten vormen een gevaar voor uw veiligheid.

Geschikte installatieplek

Dit product is bedoeld voor installatie in commercieel beschikbaar keukenmeubilair. Er moet een veiligheidsafstand worden gelaten tussen het apparaat en de keukenwanden en het keukenmeubilair. Zie afbeelding (waarden in mm).

Lade frontale uitlijning

Om de VERTICALE uitlijning van de voorzijde van de lade aan te passen, draait u de 4 schroeven aan de achterzijde van de voorzijde los en draait u deze vast in de ontwerppositie.

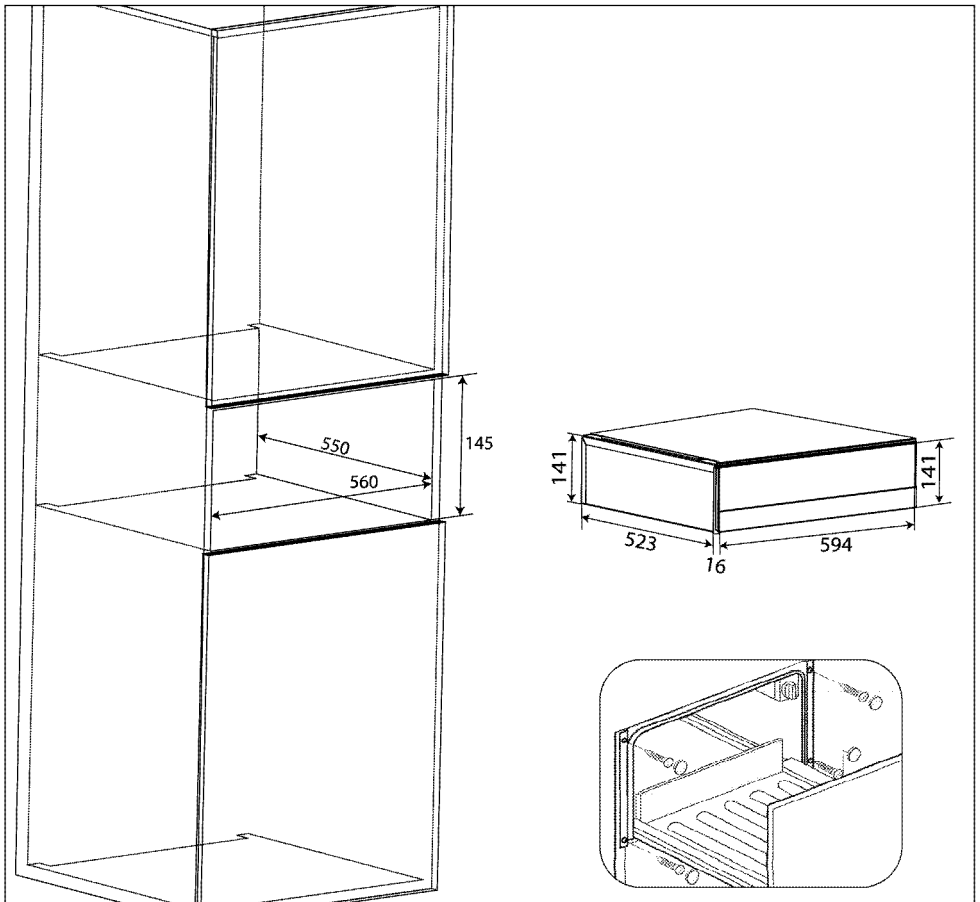


- Oppervlakken, synthetische laminaten en hechtmiddelen die worden gebruikt, moeten warmtebestendig zijn (minimaal 100°C).
- Verwijder verpakkingsmateriaal en transportvergrendelingen.

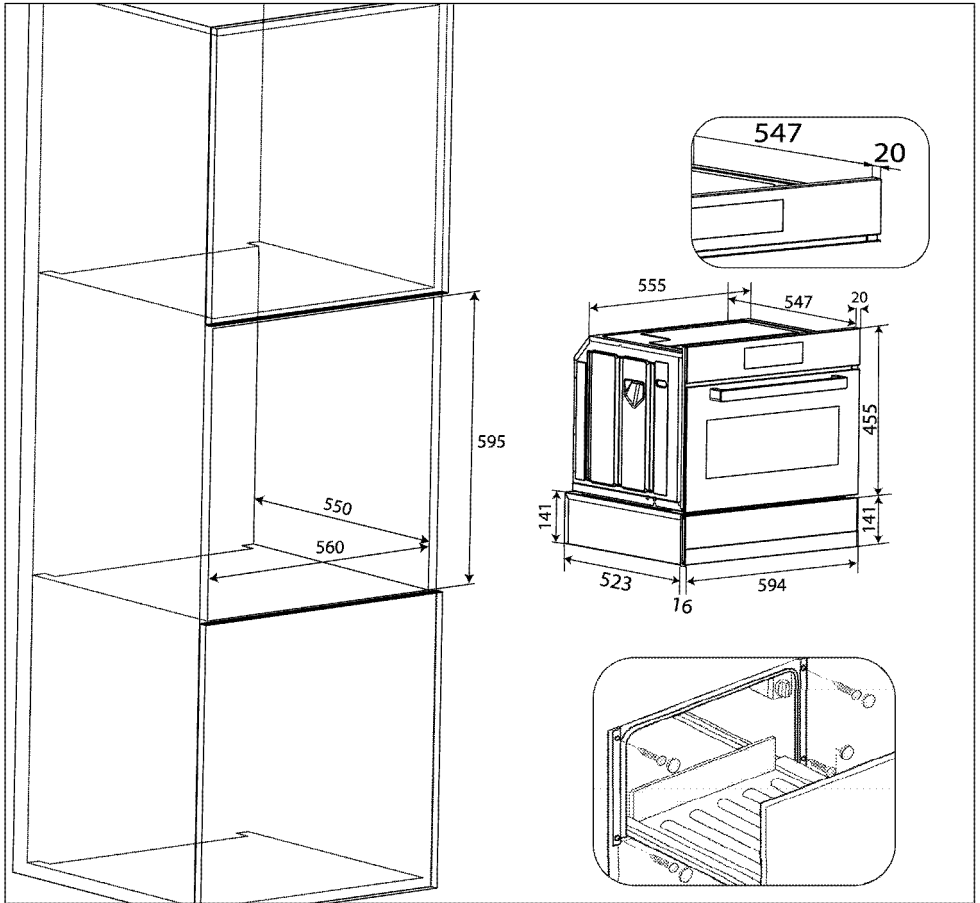
i Installeer het product niet naast koelkasten of diepvriezers. De door het product afgegeven warmte zal het stroomverbruik van koeltoestellen verhogen.

i Het gewicht van het product op de warmhoudlade mag maximaal 50 kg zijn. Producten die meer dan 50 kg wegen, kunnen de lade beschadigen.

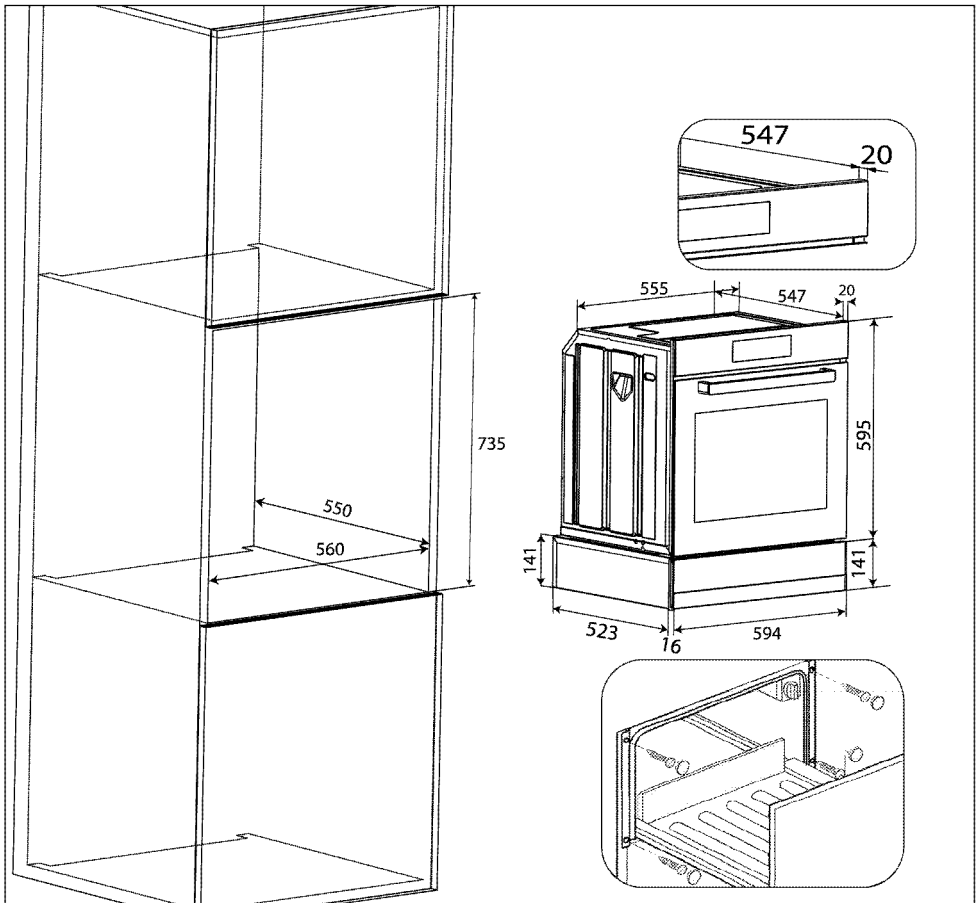
i Draag of verplaats het product niet met behulp van de deuren/of handgreep.



Warmhoudlade in een toreneenheid zonder oven



Verwarmingslade onder een compacte oven van 45 cm in een toreneenheid



Verwarmingslade onder een oven van 60 cm in een toreneenheid


Elektrische aansluiting

Het product moet overeenkomstig de lokale gas- en elektriciteitsvoorschriften aangesloten worden.


Sluit het product aan op een geaarde uitgang die beveiligd is door een zekering met de capaciteit zoals vermeld in de tabel "Technische specificaties". Laat de aardingsinstallatie aanleggen door een bevoegd elektricien als u het product met of zonder transformator gebruikt. Ons bedrijf is niet aansprakelijk voor schade die voortvloeit uit het gebruik van het product zonder een aardingsinstallatie overeenkomstig de plaatselijke voorschriften.

Het product dient gebruikt te worden met een geaard snoer!

De producent is niet aansprakelijk voor schade als gevolg van gebruik van het product zonder een geaarde installatie.

 Het product mag uitsluitend door een bevoegde en gekwalificeerde persoon op de netvoeding aangesloten worden. De garantieperiode van het product gaat uitsluitend in na correcte installatie.

De fabrikant is niet aansprakelijk voor schade die voortvloeit uit werkzaamheden door onbevoegde personen.

 De stroomkabel mag niet worden vastgeklemd, verbogen of samengedrukt of in contact komen met warme onderdelen van het product. Een beschadigde stroomkabel moet door een bevoegde elektricien worden vervangen. Anders bestaat er een risico op een elektrische schok, kortsluiting of brand!

- De aansluiting moet voldoen aan de landelijke voorschriften.
- De gegevens over de stroomvoorziening moeten overeenkomen met de gegevens vermeld op het typeplaatje van het product. Het typelabel bevindt zich op de achterkant van het product.
- De stroomkabel van uw product moet voldoen aan de waarden in de tabel "Technische specificaties".

 Koppel het product los van het elektriciteitsnet voordat met werk aan de elektrische installatie begonnen wordt. Er is kans op elektrische schokken!

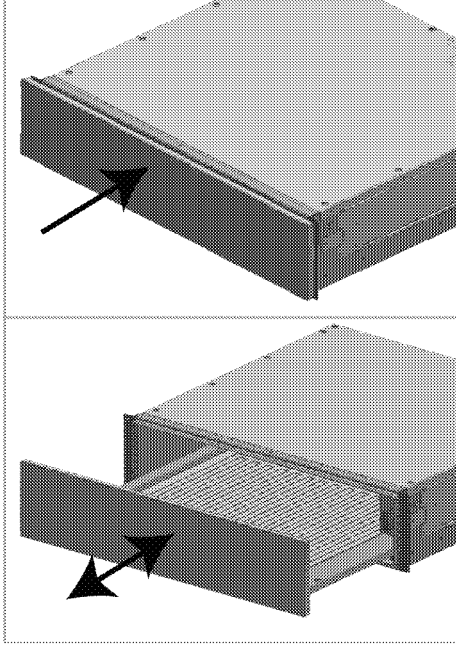
Laatste controle

1. Steek de stroomkabel in het stopcontact en zet de zekering in huis om.
2. Controleer of het product wel of niet werkt.

4 Gebruiken van de warmhoudlade

Openen van de lade

Open de lade door in de richting van de pijl te draaien. De lade wordt geopend.



Duw de lade tegen zijn deksel om hem te sluiten.

Warm houden van de borden

i Het product verwarmt alleen bij een volledig gesloten lade.

In de lade kunt u borden opwarmen of maaltijden warm houden.

Borden opwarmen

Op opgewarmde borden koelen maaltijden minder snel af.

Gewone borden

U kunt max. 25 kg in de warmhoudlade zetten. U kunt bijvoorbeeld menuservies voor 6 of 12 personen voorverwarmen.

1 x vleeschotel	32 cm.
-----------------	--------



Plaatsen van de borden

Verspreid de borden zo veel mogelijk over het oppervlak. Het opwarmen duurt langer voor opgestapelde borden dan voor borden die naast elkaar zijn gezet.

Drinkbekers



Verwarm serviesgoed als

espressokopjes altijd op  60-70°C.

 of  80 °C is te heet voor glazen.

Verbrandingsgevaar.

Gebruik

1. Zet de borden in de lade.
2. Druk voor de mechanische modellen op de aan/uit-knop.
3. Stel de functiekeuzeknop in op  of  80 °C. Kies voor serviesgoed voor

dranken altijd  60-70°C.

4. Sluit de verwarmingslade.

Waarschuwingindicator gaat branden, het product warmt op.

Voorverwarmtijd

De voorverwarmtijd is afhankelijk van het materiaal, de dikte, het aantal en de hoogte van de borden. Verspreid de borden zo veel mogelijk over het oppervlak.

Een couvert voor 6 personen duurt ongeveer 15 - 20 minuten.

Het product uitzetten.

Open de lade. Zet de functiekeuzeknop naar de UIT-stand. Druk voor de mechanische modellen ook op de aan/uit-knop om het uit te zetten.

Uitnemen van de borden

Neem de borden uit de oven met ovenhandschoenen of een doek.

6 x menuservies	Ø 24 cm
6 x soepkom	Ø 10 cm
1 x opdienbord	Ø 19 cm
1 x opdienbord	Ø 17 cm

i Het oppervlak van de verwarmingsplaat is heel heet. De onderste borden zijn warmer dan de bovenste borden.

Warm houden van maaltijden

Plaats nooit hete potten of pannen op de glazen bodem van de verwarmingslade. De glazen bodem kan beschadigd raken.

Doe de borden niet te vol, om morsen te voorkomen.

Dek de maaltijden af met een hittebestendige deksel of aluminium folie. We raden u aan de maaltijden maximaal 1 uur warm te houden.

Geschikte maaltijden

Geschikt voor vlees, gevogelte, vis, sauzen, groenten, garnituur en soepen.

Gebruik

1. Zet de borden in de lade.
2. Stel de functiekeuzeknop in op 80 °C en verwarm het product 10 minuten voor.
3. Sluit de verwarmingslade.
Waarschuwingindicator gaat branden, het product warmt op.

Het product uitzetten.


Open de lade. Zet de functiekeuzeknop naar de UIT-stand. Druk voor de mechanische modellen ook op de aan/uit-knop om het uit te zetten.

Uitnemen van de borden

Neem de borden uit de oven met ovenhandschoenen of een doek.

Gebbruikstabel

Er zijn diverse gebruikstypes die zijn aangegeven in de tabel voor de warmhoudlade. Afhankelijk van de aangegeven voorbeelden in de tabel, moet u voorverwarmen.

Fase	Maaltijden/borden	Beschrijving
40 - 50°C	Delicaat diepgevroren voedsel, bijv. slagroomgebak, boter, worstjes, kaas.	Ontdooien
40 - 50°C	Gisten van gistdeeg	Dek het af
60 - 70°C	Diepgevroren voedsel, bijv. vlees, gebak, brood	Ontdooien
60 - 70°C	Warm houden van eieren, bijv. gekookte en roergebakken eieren	Verwarm de container voor, dek het gerecht af
60 - 70°C	Warm houden van brood, bijv. geroosterd brood, tosti's	Verwarm de container voor, dek het gerecht af
60 - 70°C	Opwarmen van serviesgoed voor dranken	bijg. espressokopjes
60 - 70°C	Fijne maaltijden, bijv. raregebakken vlees	Dek het bord af
80°C	Warm houden van maaltijden	Verwarm de container voor, dek het gerecht af
80°C	Warm houden van dranken	Verwarm de container voor, dek het gerecht af
80°C	Opwarmen van pita, bijv. wraps, omelet, taco's	Verwarm de container voor, dek het gerecht af
80°C	Warm houden van koek, bijv. muffins, koekjes	Verwarm de container voor, dek het gerecht af
80°C	Smelten van een blok chocolade en chocoladetopping	Verwarm de container voor, dek het gerecht af
80°C	Verwarm de container voor, dek het gerecht af	Onafgedekt, circa 20 minuten
 80°C	Borden opwarmen	Niet geschikt voor serviesgoed voor dranken.

5 Onderhoud en verzorging

Algemene informatie

De levensduur van het product zal worden verlengd en er zullen minder vaak problemen zijn als het product regelmatig wordt gereinigd.

i Sluit het product van de stroom af voor te beginnen met onderhouds- en reinigingswerk. Er is kans op elektrische schokken!

i Laat het product afkoelen voordat u het reinigt. Hete oppervlakken kunnen brandwonden veroorzaken!

- Reinig het product grondig na ieder gebruik. Zo kunt u kookresten gemakkelijker verwijderen, en voorkomt u dat ze verbranden als u het apparaat de volgende keer gebruikt.
- Er zijn geen speciale reinigingsmiddelen vereist om het product te reinigen. Gebruik warm water met wasvloeistof, een zachte doek of spons voor het reinigen van het product en een droge doek om het te drogen.
- Zorg dat alle vloeistofresten na het reinigen zijn verwijderd en zorg er ook voor dat voedsel dat tijdens het koken heeft gespat, meteen wordt schoongemaakt.
- Gebruik voor het reinigen van roestvrijstalen oppervlakken en de handgreep geen reinigingsmiddelen die zuur of chloride bevatten. Gebruik een zachte doek met een vloeibaar detergent (niet-schurend) om deze onderdelen schoon te vegen, en let erop dat u in één richting veegt.

i Het oppervlak kan beschadigd geraken door sommige detergents of reinigingsmaterialen. Gebruik geen agressieve detergents, reinigingspoeder/melk of scherpe voorwerpen tijdens het reinigen.

i Gebruik geen stoomreinigers om schoon te maken.

Stalen oppervlakken

Kalk-, vet-, zetmeel- en proteïnevlekken moeten onmiddellijk worden verwijderd. Dergelijke vlekken kunnen onderop roest veroorzaken.

Producten met inox oppervlakken

Gebruik een milde glasreiniger en een zachte zeem/doek of een pluisvrije microvezeldoek. Reinig het oppervlak in verticale richting zonder al te veel druk uit te oefenen.

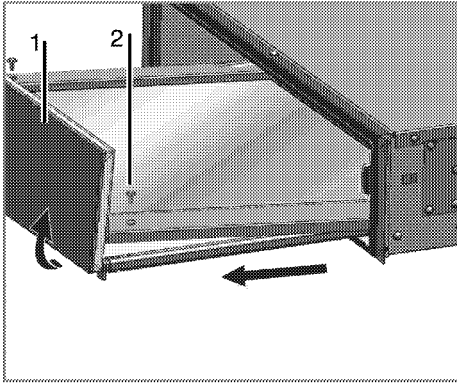
Verwarmingsplaat

Reinig de verwarmingsplaat met heet water en een beetje reinigingsmiddel.

Verwijderen van de lade

U kunt de lade verwijderen om de binnenkant van de lade schoon te maken.

1. Trek de lade volledig uit.
2. Verwijder de 2 schroeven op de voorkant.
3. Hou de lade aan de rechter- en linkervoorkant vast en til hem circa 5° naar boven.



1 Lade

2 Schroef

4. Trek de lade voorzichtig naar u toe en zet hem opzij. Reinig de binnenkant

van het product met een vochtige doek en wat reinigingsmiddel en veeg ze droog.

i Dompel de lade nooit onder in water.

De lade installeren

Volg de bovenstaande stappen in omgekeerde volgorde op om de lade terug te plaatsen.

Plaats de lade op de rails. Trek de linker- en rechterrails naar voren totdat de schroeven zich in de gaten bevinden. Draai de schroeven vast.

6 Problemen oplossen

Controleer de volgende punten voordat u naar de technische dienst.

Borden en/of maaltijden zijn koud.

- Het product staat niet aan >>> *Controleer of het product aanstaat >>>*
- De lade is niet volledig gesloten >>> *Controleer of the lade volledig is gesloten >>>*
- De stroom is afgesloten. >>> *Controleer of er stroom is. Controleer de zekeringen in de zekeringkast. Vervang of reset de zekeringen indien nodig.*

Borden en/of maaltijden zijn niet warm genoeg.

- Borden en/of maaltijden zijn niet lang genoeg verwarmd.
- De lade heeft gedurende lange tijd opengestaan.

Waarschuwinglamp knippert.

- Controleer of the lade is gesloten. Als deze niet kan worden gesloten, controleert u de positie van de flexibele haak zoals beschreven in het hoofdstuk "Onderhoud en reiniging".

Waarschuwinglamp knippert snel terwijl de warmhoudlade is gesloten.

- Bel een erkende serviceagent.

Waarschuwinglamp brand niet.

- Waarschuwinglamp is defect. >>> *Bel een erkende serviceagent.*

De zekering in de zekeringkast is doorgebrand.

- Trek de stekker uit het stopcontact en bel een erkende serviceagent.

i Raadpleeg de erkende serviceagent of de dealer waarbij u het product hebt gekocht als u, ondanks het doorvoeren van de aanwijzingen in dit gedeelte, het probleem niet kunt oplossen. Probeer nooit om een product met gebreken zelf te repareren.

